



Monitor Arms

Price Guide



Humanscale designs and manufactures products for the workplace that directly impact the user's health and comfort.

Since our founding in 1983, we have held the belief that design based on functionality and ease of use results in honest and enduring forms.

Other Humanscale price guides available in PDF format:



Seating



Lighting



Ergo Tools



Access Rail



Healthcare

For the most updated information on available Humanscale products, please visit:

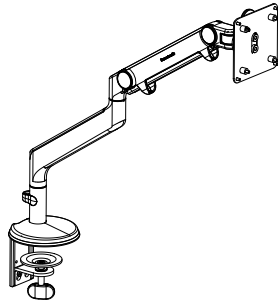
www.humanscale.com

Table of Contents

PRICE LIST

M2/M8 Common Configurations.....	4
Build Your M2/M8 Product Code.....	5
M2/M8 Component Pricing Chart & Accessories.....	6
M7/M4 Common Configurations.....	8
Build Your M7/M4 Product Code.....	11
M7 Component Pricing Chart	12
M4 Component Pricing Chart	15
M7/M4 Accessories.....	18
Build Your Paramount Product Code	19
Humanscale and the Environment	20
Humanscale Terms and Conditions.....	21

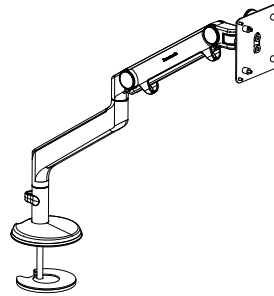
M2/ M8 Common Configurations



M2CX*

\$295

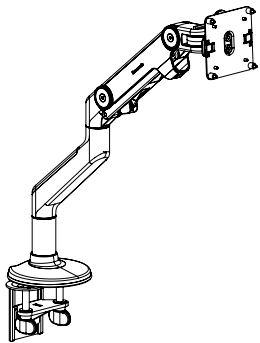
M2 with Clamp Mount



M2BX*

\$295

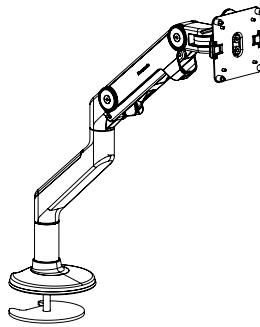
M2 with Bolt-Through Mount



M8CX*

\$460

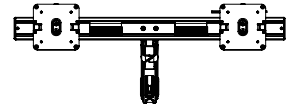
M8 with Clamp Mount



M8BX*

\$460

M8 with Bolt-Through Mount



M8CX-C*

\$590

M8 with Clamp Mount and Crossbar

M8BX-C*

\$590

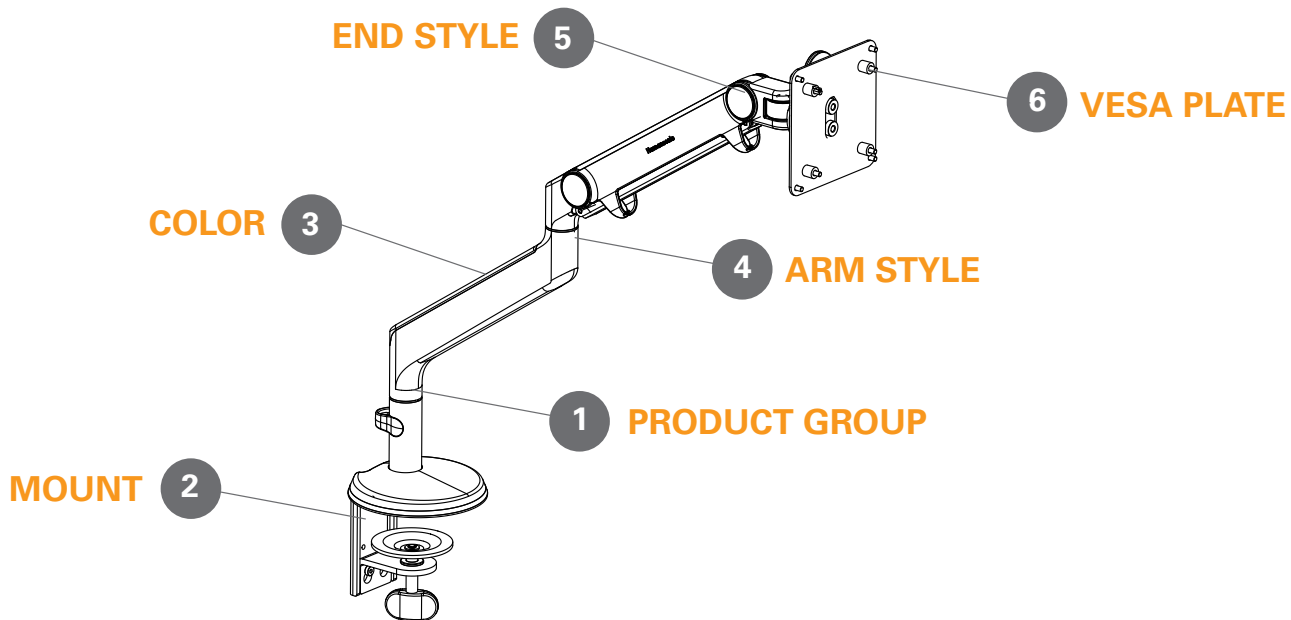
M8 with Bolt-Through Mount and Crossbar

*X denotes color. Substitute S for Silver with Gray trim, W for Polished Aluminum with White trim or B for all Black

Build Your M2/M8 Product Code

To determine the list price for your monitor arm solution, identify your choice for each component and build the product code as shown below. Add the prices for all the options selected.

PRODUCT GROUP	MOUNT	COLOR	ARM STYLE	END STYLE	VESA PLATE	INDIVIDUAL PACKAGING
1	2	3	4	5	6	7
—	—	—	—	—	—	—



M2/M8 Component Pricing Chart

COMPONENT	CODE	DESCRIPTION	LIST PRICE	
			M2	M8
1 PRODUCT GROUP	M2	M2 Monitor Arm ¹		
	M8	M8 Monitor Arm ²		
2 MOUNT <i>Note: M2 and M8 mounts are not interchangeable</i>	N	No Mount	\$0	\$0
	C	Two-Piece Clamp Mount with Base	80	100
	B	Bolt-Through Mount with Base	80	100
	S	Universal Slatwall Mount	80	100
	H	Direct Hardwall Mount	80	100
3 COLOR	S	Silver with Gray Trim	0	0
	W	Polished Aluminum with White Trim	0	0
	B	Black with Black Trim ³	0	0
4 ARM STYLE	0	Ball Joint Only ³	–	50
	1	Fixed Angled Link/Dynamic Link	215	360
	2	Fixed Straight Link/Dynamic Link	215	360
	3	Fixed Straight Link/Fixed Straight Link	130	180
	4	Fixed Angled Link/Fixed Straight Link ³	–	210
	5	Dynamic Link Only ³	–	230
	6	Straight Link Only ³	–	130
7	Fixed Angle Link Only ³	–	130	
5 END STYLE	S	Standard Ball Joint only	0	0
	C	Crossbar for 2 monitors	–	130
6 VESA PLATE	–	Standard 100mm x 100mm (also used for 75mm x 75mm)	0	0
	1	100mm x 200mm	20	20*
	2	200mm x 200mm	30	30*
	3	200mm x 400mm	40	40*
7 INDIVIDUAL PACKAGING	–	Standard bulk packaging for orders of 3 or more units	0	0
	IND	Individual Packaging for all units in an order	10**	10**

1 Supports one monitor up to 20 lbs.

2 Supports one or two monitors up to a total of 42 lbs.

3 Available March 2011

* If ordered with Crossbar, multiply price by two as two VESA Plates will ship with order

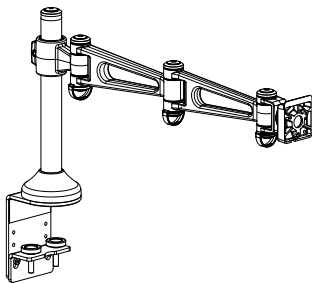
** List price per unit

M2/M8 Accessories Pricing Chart

COMPONENT	CODE	DESCRIPTION	LIST PRICE
Front-End Adjuster	UFEA-S-M8 ²	Universal Front-End Adjuster for M2 and M8 - Silver	\$125
Mounts¹	M2CM-X	M2 Clamp Mount with Base	80
	M8CM-X	M8 Clamp Mount with Base	100
	M2BT-X	M2 Bolt-Through Mount with Base	80
	M8BT-X	M8 Bolt-Through Mount with Base	100
	M2SM-X	M2 Universal Slatwall Mount	80
	M8SM-X	M8 Universal Slatwall Mount	100
	M2HW-X	M2 Direct Hardwall Mount	80
	M8HW-X	M8 Direct Hardwall Mount	100
M8 conversion Kits¹	M8CB-X	Crossbar Conversion Kit, converts single M8 to M8 with Crossbar	200
	M8BJ-X	Ball Joint Conversion Kit, converts M8 with Crossbar to single M8	60
VESA Plates <i>For M2 and M8</i>	M2DVP	Drop-Down VESA Plate for M2 or M8	20
	VM28-11	Standard 100mm x 100mm (also used for 75mm x 75mm), with hardware	20
	VM28-12	100mm x 200mm, with hardware	30
	VM28-22	200mm x 200mm, with hardware	40
	VM28-24	200mm x 400mm, with hardware	50

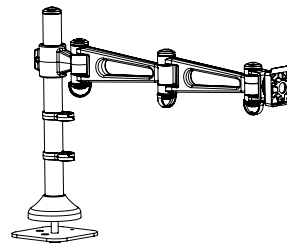
¹ Note: X denotes color. Use S for Silver/Gray, W for Polished/White and B for Black/Black
² Available Second Quarter 2011

M7/ M4 Common Configurations



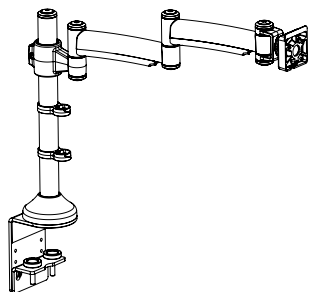
M7C \$340
M7S-C *Silver*
M7B-C *Black*

B1 Bracket-Mounted Arm, Two M7 Standard 8" Links, Two-Piece Low-Profile Clamp Mount with Slim Post. Accommodates one monitor up to 30 pounds.



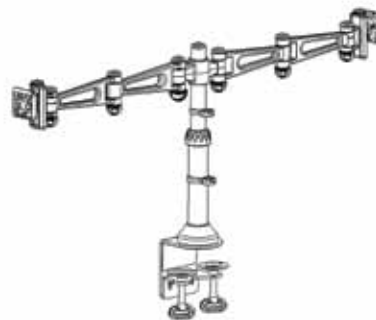
M7L \$315
M7S-L *Silver*
M7B-L *Black*

B1 Bracket-Mounted Arm, Two M7 Standard 8" Links, Bolt-Through Mount with Slim Post. Accommodates one monitor up to 30 pounds.



M7M \$350
M7S-M *Silver*
M7B-M *Black*

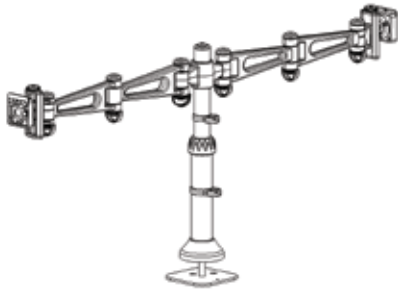
B1 Bracket-Mounted Arm, Two M7 8" Folding Links, Two-Piece Low-Profile Clamp Mount with Slim Post. Accommodates one monitor up to 30 pounds



M7R \$550
M7S-R *Silver*
M7B-R *Black*

B2 Bracket-Mounted Arms, Two M7 Standard 8" Links for each arm, Two-Piece Heavy Duty Clamp Mount, Non-Adjustable Standard Post. Accommodates two monitors up to 30 pounds each.

M7/M4 Common Configurations (continued)



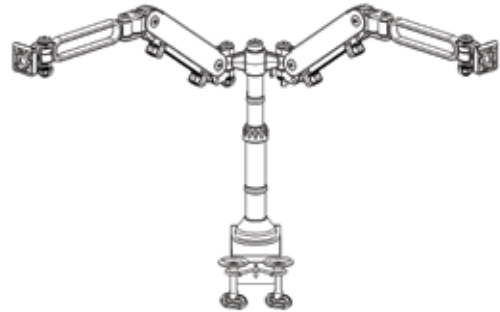
M7S

\$495

M7S-S *Silver*

M7B-S *Black*

B2 Bracket-Mounted Arms, Two M7 Standard 8" Links for each arm, Bolt-Through Mount with Non-Adjustable Standard Post. Accommodates two monitors up to 30 pounds each.



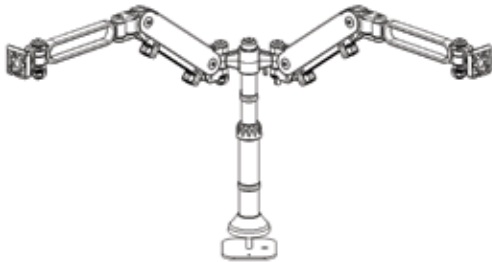
M4T

\$900

M4S-T *Silver*

M4B-T *Black*

B2 Bracket Mounted Arms, Two M4 Adjustable Double-Link Arms, Two-Piece Heavy-Duty Clamp Mount with Non-Adjustable Standard Post. Accommodates two monitors, 5 – 20 pounds each.



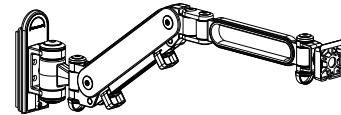
M4U

\$845

M4S-U *Silver*

M4B-U *Black*

B2 Bracket-Mounted Arms, Two M4 Adjustable Double-Link Arms, Bolt-Through Mount with Non-Adjustable Standard Post. Accommodates two monitors, 5 – 20 pounds each.



M4V

\$465

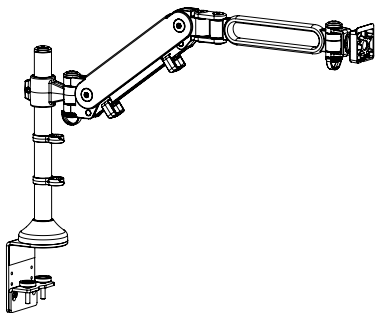
M4S-V-PP* *Silver*

M4B-V-PP* *Black*

N1 No-Post Arm Bracket, M4 Adjustable Double-Link Arm, Panel Mount. Accommodates one monitor, 5 – 20 pounds.

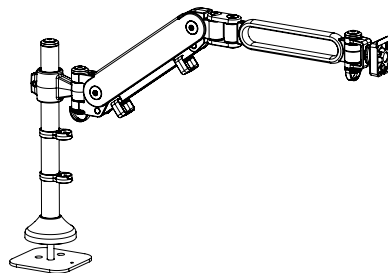
*Replace "PP" with model-specific systems furniture panel mount; see page 13.

M7/M4 Common Configurations (continued)



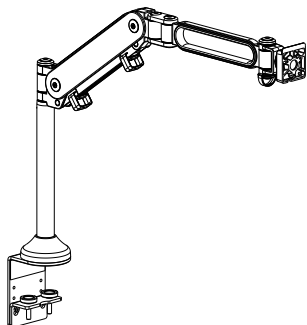
M4W \$515
M4S-W *Silver*
M4B-W *Black*

B1 Bracket-Mounted Arm, M4 Adjustable Double-Link Arm, Two-Piece Low-Profile Clamp Mount with Slim Post. Accommodates one monitor, 5 – 20 pounds.



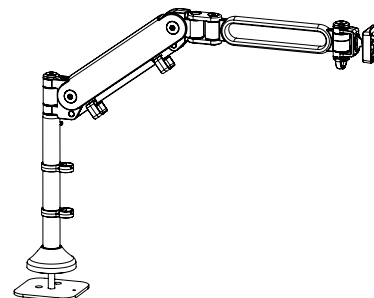
M4X \$490
M4S-X *Silver*
M4B-X *Black*

B1 Bracket-Mounted Arm, M4 Adjustable Double-Link Arm, Bolt-Through Mount with Slim Post. Accommodates one monitor, 5 – 20 pounds.



M4Y \$495
M4S-Y *Silver*
M4B-Y *Black*

Top-Mounted Arm Bracket, M4 Adjustable Double-Link Arm, Two-Piece Low-Profile Clamp Mount with Slim Post. Accommodates one monitor, 5 – 20 pounds.



M4Z \$470
M4S-Z *Silver*
M4B-Z *Black*

Top-Mounted Arm Bracket, M4 Adjustable Double-Link Arm, Bolt-Through Mount with Slim Post. Accommodates one monitor, 5 – 20 pounds.

Build Your M7/M4 Product Code

To determine the list price for your monitor arm solution, identify your choice for each component and build the product code as shown below. Add the prices for all the options selected.

PRODUCT	BRACKET STYLE	COLOR	ARM STYLE <i>(3b and 3c, if applicable)</i>	MOUNT	POST STYLE	ADD-ONS <i>(if applicable)</i>
"M7" or "M4"	1	2	3 3b 3c	4	5	6

1 BRACKET STYLE
Choose the appropriate Bracket based on number of monitors and Bracket Style. There are two characters in the product code for Bracket Style.

2 COLOR

3 ARM STYLE
Choose the desired arm style (M7 shown). There is one character in the product code for Arm Style. To order a monitor arm for one monitor, only one character (component #3) is required. To order an arm for two monitors (as with N2 or B2 Brackets), use #3 and #3b to specify the left Arm Style, then the right Arm Style (in that order). To order an arm for three monitors (B3 Brackets), use #3 and #3b and #3c to specify the left Arm Style, the middle Arm Style, and the right Arm Style (in that order).



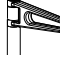
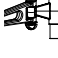



5 POST STYLE
Choose the desired Post, if applicable. There are two characters in the product code for Posts.

4 MOUNT STYLE
Choose the desired Mount based on your mounting surface. There are two characters in the product code for Mounts.

6 ADD-ONS
Enhance the function of your monitor arm with optional Add-Ons. Simply include the applicable codes for the desired Add-On. For example, for the Quick Release Add-On only, add a QR to the end of the product code. For a Quick Release and a Post Stop, the product code would end in QRPS.

ACCESSORIES
Monitor Arm Accessories are ordered separately from the monitor arm itself. Product codes for Accessories, detailed on page 18, are not included in your monitor arm product code.

M7 Component Pricing Chart

COMPONENT	CODE	DESCRIPTION	NO POST BRACKETS		TOP-MOUNT BRACKET		POST WITH BRACKET MOUNT		
			1 Monitor	2 Monitors	1 Monitor	2 Monitors	1 Monitor	2 Monitors	3 Monitors
1 BRACKET STYLE									
			N1	N2	T1	T2	B1	B2	B3
		Base Price:	\$ 55	\$ 65	\$ 35	\$ 65	\$ 55	\$ 65	\$ 75
2 COLOR	B	Black	0	0	0	0	0	0	0
	S	Silver	0	0	0	0	0	0	0
	A	Polished Aluminum ¹	0	0	0	0	0	0	0
3 ARM STYLE	0	Ball Joint Only	50	50	50	50	50	50	50
	1	One Standard 8" Link	115	115	115	115	115	115	115
	2	Two Standard 8" Links	150	150	150	150	150	150	150
	3	One Standard 12" Long Link	135	135	135	135	135	135	135
	4	Two Standard 12" Long Links	175	175	175	175	175	175	175
	5	One 12" Long Link/One 8" Standard Link	165	165	165	165	165	165	165
	8	One 8" Folding Link	120	120	120	120	120	120	120
	9	Two 8" Folding Links	160	160	160	160	160	160	160
3b ARM STYLE	0	Ball Joint Only	–	50	–	50	–	50	50
<i>If necessary.</i>	1	One Standard 8" Link	–	115	–	115	–	115	115
<i>Use with N2.</i>	2	Two Standard 8" Links	–	150	–	150	–	150	150
<i>B2 or B3 only.</i>	3	One Standard 12" Long Link	–	135	–	135	–	135	135
	4	Two Standard 12" Long Links	–	175	–	175	–	175	175
	5	One 12" Long Link/One 8" Standard Link	–	165	–	165	–	165	165
	8	One 8" Folding Link	–	120	–	120	–	120	120
	9	Two 8" Folding Links	–	160	–	160	–	160	160
3c ARM STYLE	0	Ball Joint Only	–	–	–	–	–	–	–
<i>If necessary.</i>	1	One Standard 8" Link	–	–	–	–	–	–	115
<i>Use with B3 only.</i>	2	Two Standard 8" Links	–	–	–	–	–	–	150
	3	One Standard 12" Long Link	–	–	–	–	–	–	135
	4	Two Standard 12" Long Links	–	–	–	–	–	–	175
	5	One 12" Long Link/One 8" Standard Link	–	–	–	–	–	–	165
	8	One 8" Folding Link	–	–	–	–	–	–	120
	9	Two 8" Folding Links	–	–	–	–	–	–	160
4 MOUNT STYLE²	NM	No Mount, except as noted with Stackable Posts below	–	–	0	0	0	0	0
	XV	No Mount, with Stackable Post for Vertical Surface	–	–	0	0	0	0	0
	XH	No Mount, with Stackable Post for Horizontal Surface	–	–	0	0	0	0	0
<i>Horizontal Surfaces</i>	BT	Bolt-Through Mount	–	–	40	40	40	40	40
	CM	Two-Piece Heavy-Duty Clamp Mount	–	–	95	95	95	95	95
	LC	Two-Piece Low Profile Clamp Mount	–	–	65	65	65	65	65
	DM	Direct Mount	–	–	40	40	40	40	40

M7 Component Pricing Chart (Continued)

COMPONENT	CODE	DESCRIPTION	NO POST BRACKETS		TOP-MOUNT BRACKET		POST WITH BRACKET MOUNT		
			1 Monitor	2 Monitors	1 Monitor	2 Monitors	1 Monitor	2 Monitors	3 Monitors
Wall Stud	WD	Standard Wall Stud Mount, Supports Multiple Monitors	\$80	\$ 80	\$ 80	\$ 80	\$ 80	\$ 80	\$ 80
	WU	Universal Wall Stud Mount, Single Monitors Only	80	-	-	-	-	-	-
	WK	Knuckle Wall Stud Mount	40	-	-	-	-	-	-
Standard Slatwall³	SA	Allsteel Slatwall	80	80	80	80	80	80	80
	SD	Dates Weiser Slatwall	80	80	80	80	80	80	80
	SW	EDP Contour Slatwall	80	80	80	80	80	80	80
	SS	EDP Slatwall	80	80	80	80	80	80	80
	SR	Eurocraft Slatwall	80	80	80	80	80	80	80
	SN	Evans Consoles	80	80	80	80	80	80	80
	SW	Forecast Slatwall	80	80	80	80	80	80	80
	SE	Herman Miller Slatwall	80	80	80	80	80	80	80
	SU	Humanscale Access Rail	80	80	80	80	80	80	80
	SI	Innovant (CBA) Slatwall	80	80	80	80	80	80	80
	SU	Kimball Slatwall	80	80	80	80	80	80	80
	SX	LaCour Extrusion (Beam)	80	80	80	80	80	80	80
	SC	LaCour Standard Slatwall	80	80	80	80	80	80	80
	SL	Novalink Slatwall	80	80	80	80	80	80	80
	SS	SBFi Universal Slatwall	80	80	80	80	80	80	80
	SN	SBFi/Triax Slatwall	80	80	80	80	80	80	80
	SB	TBC Slatwall	80	80	80	80	80	80	80
	SB	Wall Street Trading	80	80	80	80	80	80	80
	SP	Perma Groove Slatwall	80	80	80	80	80	80	80
SN	Wilson Slatwall	80	80	80	80	80	80	80	
SW	Woodtronics Slatwall	80	80	80	80	80	80	80	
Universal Slatwall³	S2	Universal Slatwall, Supports Single Monitors Only: Dates Weiser, Eurocraft, Forecast, Haworth, Innovant (CBA), Knoll Currents, Knoll Extra, LaCour, SBFi/Triax, Steelcase Details, TBC, Teknion Leverage, Teknion Transit, Woodtronics, Wright Line	75	-	75	-	75	-	-
	S4	Universal Slatwall, Supports Single Monitors Only: Humanscale Access Rail, Kimball, Evans Console	75	-	75	-	75	-	-
	W1	Universal Slatwall w/Post	-	-	-	-	60	60	60
	FM	Universal Slatwall w/No Post	40	-	-	-	-	-	-
Panel Mounts	PC	Allsteel Concensys	85	85	85	85	85	85	85
	P2	Allsteel Terrace 2.6, 3.4	85	85	85	85	85	85	85
	PH	Haworth Places	85	85	85	85	85	85	85
	PM	Haworth Premise	85	85	85	85	85	85	85
	PH	Haworth Unigroup	85	85	85	85	85	85	85
	PA	Herman Miller Action Office	85	85	85	85	85	85	85
	PE	Herman Miller Ethospace	85	85	85	85	85	85	85
	PR	Herman Miller Resolve	85	85	85	85	85	85	85
	P9	Steelcase 9000	85	85	85	85	85	85	85
	PI	Teknion ie	85	85	85	85	85	85	85
	PL	Teknion Leverage	85	85	85	85	85	85	85
PB	Teknion Boulevard	85	85	85	85	85	85	85	

M7 Component Pricing Chart (Continued)

			NO POST BRACKETS		TOP-MOUNT BRACKET		POST WITH BRACKET MOUNT			
			1 Monitor	2 Monitors	1 Monitor	2 Monitors	1 Monitor	2 Monitors	3 Monitors	
5	POST STYLE	NP	No Post	\$ 0	\$ 0	\$ 0	\$ 0	\$ 0	\$ 0	\$ 0
		1V	One-Row Stackable Post for Vertical Surfaces ⁴	–	–	–	–	60	60	60
		2V	Two-Row Stackable Post for Vertical Surfaces	–	–	–	–	115	115	115
		TV	Top Row Stackable Post for Vertical Surfaces	–	–	–	–	50	50	50
		1H	One-Row Stackable Post for Horizontal Surfaces	–	–	–	–	110	110	110
		2H	Two-Row Stackable Post for Horizontal Surfaces	–	–	–	–	165	165	165
		TH	Top Row Stackable Post for Horizontal Surfaces	–	–	–	–	50	50	50
		SL	Slim (non-adjustable) ⁴	–	–	70	70	70	70	–
	SP	Standard Post, Non-Adjustable	–	–	90	90	90	90	90	
ADD-ONS										
6a	QUICK RELEASE	–	Standard, No Quick Release	0	0	0	0	0	0	0
		QR	Quick Release	20	40	20	40	20	40	60
6b	POST STOP	–	Standard, No Post Stop	0	0	0	0	0	0	0
		PS	Post Stop (180°)	–	–	20	60	30	60	–
6c	CROSSBAR	–	Standard, No Crossbar	0	0	0	0	0	0	0
		C2	Crossbar For 2 Monitors ⁵	–	220	–	220	–	220	–
		C3	Crossbar For 3 Monitors ⁵	–	290	–	290	–	290	–
6d	NOTEBOOK HOLDER	–	Standard, No Notebook Holder	0	0	0	0	0	0	0
		NH	Notebook Holder ⁶	115	115	115	115	115	115	115
6e	KEYBOARD HOLDER	–	No Keyboard Holder	0	0	0	0	0	0	0
		KS	Keyboard Holder, Standard ⁷	300	–	–	–	300	–	–
		KW	Keyboard Holder, Wide ⁸	280	–	–	–	280	–	–

¹ Polished Aluminum requires 8–10 weeks for delivery after receipt of order.

² Choose one mount from Horizontal Surfaces, Wall Stud Mounts, Slatwall Mounts (Standard or Universal) or Panel Mounts.

³ Standard Slatwall accommodates multiple monitors or a post. Universal Slatwall is for single monitors only.

⁴ Slim Posts only available for use with single arms or double arms with maximum monitor weight of 30 pounds.


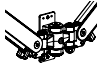


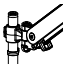

⁵ Crossbar only available with a T2 and B2 Bracket and two M7 8" Folding Link Arms (Arm Style 9) or two M4 Adjustable Double Link Arms (Arm Style A).

⁶ When ordering Notebook Holder with two-monitor configurations, a single Notebook Holder will be placed on the right arm.

⁷ Standard Keyboard Holder consists of 19" board with 8" round mousing surface and gel palm support for both; Humanscale #90011RG.

⁸ Wide Keyboard Holder consists of 25" keyboard/mousing board with gel palm support.

M4 Component Pricing Chart

COMPONENT	CODE	DESCRIPTION	NO POST BRACKETS		TOP-MOUNT BRACKET		POST WITH BRACKET MOUNT	
			1 Monitor	2 Monitors	1 Monitor	2 Monitors	1 Monitor	2 Monitors
1 BRACKET STYLE								
			N1	N2	T1	T2	B1	B2
		Base Price:	\$ 55	\$ 65	\$ 35	\$ 65	\$ 55	\$ 65
2 COLOR	B	Black	0	0	0	0	0	0
	S	Silver	0	0	0	0	0	0
3 ARM STYLE	A	Adjustable Double-Link Arm	325	325	325	325	325	325
	B	Adjustable Single-Link Arm	275	275	275	275	275	275
	D	Dampened Double-Link Arm	355	355	355	355	355	355
	E	Dampened Single-Link Arm	305	305	305	305	305	305
3b ARM STYLE <i>(If applicable)</i>	A	Adjustable Double-Link Arm	–	325	–	325	–	325
	B	Adjustable Single-Link Arm	–	275	–	275	–	275
	D	Dampened Double-Link Arm	–	355	–	355	–	355
	E	Dampened Single-Link Arm	–	305	–	305	–	305
4 MOUNT STYLE²	NM	No Mount	–	–	0	0	0	0
	BT	Bolt-Through Mount	–	–	40	40	40	40
<i>Horizontal Surfaces</i>	CM	Two-Piece Heavy-Duty Clamp Mount	–	–	95	95	95	95
	LC	Two-Piece Low Profile Clamp Mount	–	–	65	65	65	65
	DM	Direct Mount	–	–	40	40	40	40
<i>Wall Stud</i>	WD	Standard Wall Stud Mount, Supports Multiple Monitors	80	80	80	80	80	80
	WU	Universal Wall Stud Mount, Single Monitors Only	80	–	–	–	–	–
	WK	Knuckle Wall Stud Mount	40	–	–	–	–	–
<i>Standard Slatwall³</i>	SA	Allsteel Slatwall	80	80	80	80	80	80
	SD	Dates Weiser Slatwall	80	80	80	80	80	80
	SW	EDP Contour Slatwall	80	80	80	80	80	80
	SS	EDP Slatwall	80	80	80	80	80	80
	SR	Eurocraft Slatwall	80	80	80	80	80	80
	SN	Evans Consoles	80	80	80	80	80	80
	SW	Forecast Slatwall	80	80	80	80	80	80
	SE	Herman Miller Slatwall	80	80	80	80	80	80
	SU	Humanscale Access Rail	80	80	80	80	80	80
	SI	Innovant (CBA) Slatwall	80	80	80	80	80	80
	SU	Kimball Slatwall	80	80	80	80	80	80
	SX	LaCour Extrusion (Beam)	80	80	80	80	80	80
	SC	LaCour Standard Slatwall	80	80	80	80	80	80
	SL	Novalink Slatwall	80	80	80	80	80	80
	SS	SBFI Universal Slatwall	80	80	80	80	80	80
	SN	SBFI/Triax Slatwall	80	80	80	80	80	80
	SB	TBC Slatwall	80	80	80	80	80	80
	SB	Wall Street Trading	80	80	80	80	80	80
	SP	Perma Groove Slatwall	80	80	80	80	80	80

M4 Component Pricing Chart (Continued)

COMPONENT	CODE	DESCRIPTION	NO POST BRACKETS		TOP-MOUNT BRACKET		POST WITH BRACKET MOUNT	
			1 Monitor	2 Monitors	1 Monitor	2 Monitors	1 Monitor	2 Monitors
Universal Slatwall³	SN	Wilson Slatwall	\$80	\$ 80	\$ 80	\$ 80	\$ 80	\$ 80
	SW	Woodtronics Slatwall	80	–	80	80	80	–
	S2	Universal Slatwall, Supports Single Monitors Only: Dates Weiser, Eurocraft, Forecast, Haworth, Innovant (CBA), Knoll Currents, Knoll Extra, LaCour, SBFi/Triax, Steelcase Details,TBC, Teknion Leverage, Teknion Transit, Woodtronics, Wright Line	75	–	75	–	75	–
	S4	Universal Slatwall, Supports Single Monitors Only: Humanscale Access Rail, Kimball, Evans Console	75	–	75	–	75	–
	W1	Universal Slatwall w/Post	–	–	–	–	60	60
Panel Mounts	FM	Universal Slatwall w/No Post	40	–	–	–	–	–
	PC	Allsteel Concensys	85	85	85	85	85	85
	P2	Allsteel Terrace 2.6, 3.4	85	85	85	85	85	85
	PH	Haworth Places	85	85	85	85	85	85
	PM	Haworth Premise	85	85	85	85	85	85
	PH	Haworth Unigroup	85	85	85	85	85	85
	PA	Herman Miller Action Office	85	85	85	85	85	85
	PE	Herman Miller Ethospace	85	85	85	85	85	85
	PR	Herman Miller Resolve	85	85	85	85	85	85
	P9	Steelcase 9000	85	85	85	85	85	85
	PI	Teknion ie	85	85	85	85	85	85
	PL	Teknion Leverage	85	85	85	85	85	85
	PB	Teknion Boulevard	85	85	85	85	85	85
5 POST STYLE	P	No Post	0	0	0	0	0	0
	1V	One-Row Stackable Post for Vertical Surfaces ⁴	–	–	–	–	60	60
	2V	Two-Row Stackable Post for Vertical Surfaces	–	–	–	–	115	115
	TV	Top Row Stackable Post for Vertical Surfaces	–	–	–	–	50	50
	1H	One-Row Stackable Post for Horizontal Surfaces	–	–	–	–	110	110
	2H	Two-Row Stackable Post for Horizontal Surfaces	–	–	–	–	165	165
	TH	Top Row Stackable Post for Horizontal Surfaces	–	–	–	–	50	50
	SL	Slim (non-adjustable) ¹	–	–	70	70	70	70
	SP	Standard Post, Non-Adjustable	–	–	90	90	90	90

M4 Component Pricing Chart (Continued)

COMPONENT	CODE	DESCRIPTION	NO POST BRACKETS		TOP-MOUNT BRACKET		POST WITH BRACKET MOUNT		
			1 Monitor	2 Monitors	1 Monitor	2 Monitors	1 Monitor	2 Monitors	
ADD-ONS									
6a	QUICK RELEASE	-	Standard, No Quick Release	\$ 0	\$ 0	\$ 0	\$ 0	\$ 0	\$ 0
	QR		Quick Release	20	40	20	40	20	40
6b	POST STOP	-	Standard, No Post Stop	0	0	0	0	0	0
	PS		Post Stop (180°)	-	-	20	60	30	60
6c	CROSSBAR	-	Standard, no Crossbar	0	0	0	0	0	0
	C2		Crossbar for 2 Monitors ⁵	-	220	-	220	-	220
	C3		Crossbar for 3 Monitors ⁵	-	290	-	290	-	290
6d	NOTEBOOK HOLDER	-	Standard, No Notebook Holder	0	0	0	0	0	0
	NH		Notebook Holder ⁶	115	115	115	115	115	115
6e	KEYBOARD HOLDER	-	No Keyboard Holder	0	0	0	0	0	0
	KS		Keyboard Holder, Standard ⁷	240	-	240	-	240	-
	KW		Keyboard Holder, Wide ⁸	240	-	240	-	240	-

¹ Polished Aluminum not available with M4 Adjustable Monitor Arms.

² Choose one mount from Horizontal Surfaces, Wall Stud Mounts, Slatwall Mounts (Standard or Universal) or Panel Mounts.

³ Standard Slatwall accommodates multiple monitors or a post, Universal Slatwall is for single monitors only.

⁴ Slim Posts only available for use with single arms or double arms with maximum monitor weight of 30 pounds.

⁵ Crossbar only available with a T2 or B2 Bracket and two M7 8" Folding Link Arms (Arm Style 9) or two M4 Adjustable Double Link Arms (Arm Style A).

⁶ When ordering Notebook Holder with two-monitor configurations, a single Notebook Holder will be placed on the right arm.

⁷ Standard Keyboard Holder consists of 19" board with 8" round mousing surface and gel palm support for both. Humanscale #90011RG. Available with D and E arms only.

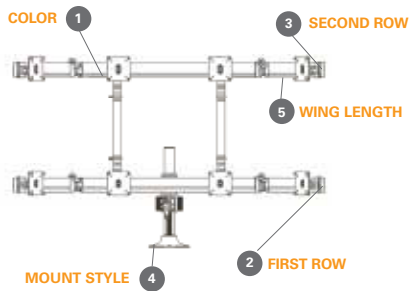
⁸ Wide Keyboard Holder consists of 25" keyboard/mousing board with gel palm support. Available with D and E arms only.

M7 and M4 Accessories

MODEL #	DESCRIPTION	LIST PRICE
UFEA-S	Universal Front-End Adjuster for M7, Silver only (supports up to 30 lbs.)	\$125
VBK	VESA Bracket Kit for M7 and M4 (Contains 75mm, 100mm Plates and Hardware)	20
SCK	Security Kit for M7 and M4 (Kensington Only, No Security Bolts Available)	40
DVP	Drop Down VESA Plate for M7 and M4	40
PST-B	180° Arm Stop, Top Mount, Black	20
PST-S	180° Arm Stop, Top Mount, Silver	20
PBS-B	180° Post Stop, Bracket Mount, Standard 8" Link, Black	30
PBL-B	180° Post Stop, Bracket Mount, Long 12" Link, Black	30
PBF-B	180° Post Stop, Bracket Mount, Folding Link, Black	30

Build Your Paramount Product Code

To determine the list price for your Paramount solution, identify your choice for each component and build the product code as shown below. Add the prices for all the options selected.



PRODUCT	COLOR	FIRST ROW	SECOND ROW	MOUNT STYLE	WING LENGTH
P2	1	2	3	4	5
_____	_____	_____	_____	_____	_____

COMPONENT	CODE	DESCRIPTION	LIST PRICE
1 COLOR¹	B	Black	—
	S	Silver	—
2 FIRST ROW	1	Base Unit with Standard Lower Crossbar	\$1000
	X	No Base Unit, No First-Row Crossbar (use when ordering Second-Row only)	0
3 SECOND ROW	2	Second-Row Crossbar Assembly	600
	X	No Second-Row Crossbar Assembly (use when ordering one row only)	0
4 MOUNT STYLE	NM	No Mount (use when ordering Second-Row only)	0
	DM	Desk Mount	200
	CM	Clamp Mount ³	200
	HW	Horizontal Beam Mount for Woodtronics	200
	HI	Horizontal Beam Mount for Innovant AX50	200
	HL	Horizontal Beam Mount for LaCour	200
	HS	Horizontal Beam Mount for SBF1	200
	HD	Horizontal Beam Mount for DAS ²	200
	VW	Vertical Slatwall Mount for Woodtronics	200
	VI	Vertical Slatwall Mount for Innovant	200
5 WING LENGTH	—	Standard 14.5" Wings	0
	L	Long 20" Wings ⁴	100

¹ Silver unit has Light Gray accents (cable managers, trim, etc.). Black unit has Black accents.

² Contact Humanscale Rep for availability.

³ Available March 2011. Contact sales rep for exact availability.

⁴ If ordering a two-row Paramount, add \$200 as two long 20" wings will ship with order.

Humanscale and the Environment

RECYCLED MATERIALS			
Product	Recycled Content	Recyclable Content	LEED Recycled Content Post-Consumer +1/2 Pre-Consumer
Diffrient Task and Work Light with Base	90% recycled (63% Post-Consumer, 27% Pre-Consumer)	90% recyclable	77%
Diffrient Technology Light	38% recycled (13% Post-Consumer, 25% Pre-Consumer)	98% recyclable	26%
Element Light, Element 790	81% recycled (55% Post-Consumer, 26% Pre-Consumer)	99% recyclable	68%
Tolomeo Light	77% recycled (40% Post-Consumer, 27% Pre-Consumer)	87% recyclable	52%
Freedom Chair	62% recycled (43% Post-Consumer, 19% Pre-Consumer)	90% recyclable	53%
Freedom Saddle/ Pony Saddle	59% recycled (41% Post-Consumer, 18% Pre-Consumer)	90% recyclable	50%
Liberty Chair	54% recycled (32% Post-Consumer, 22% Pre-Consumer)	93% recyclable	43%
Liberty Side Chair	85% recycled (49% Post-Consumer, 36% Pre-Consumer)	93% recyclable	67%
Cinto chair	26% recycled (15% Post-Consumer, 11% Pre-Consumer)	100% recyclable	21%
Diffrient World Chair	34% recycled (10% Post-Consumer, 24% Pre-Consumer)	97% recyclable	22%
M2 Monitor Arm	52% recycled (46% Post-Consumer, 6% Pre-Consumer)	99% recyclable	49%
M8 Monitor Arm	62% recycled (43% Post-Consumer, 19% Pre-Consumer)	99% recyclable	53%
M7 Monitor Arm	90% recycled (63% Post-Consumer, 27% Pre-Consumer)	100% recyclable	77%
M4 Monitor Arm	67% recycled (47% Post-Consumer, 20% Pre-Consumer)	100% recyclable	57%
Paramount	48% recycled (33% Post-Consumer, 15% Pre-Consumer)	99% recyclable	41%
Access Rail	98% recycled (70% Post-Consumer, 28% Pre-Consumer)	100% recyclable	84%
Keyboard Systems	25% recycled (15% Post-Consumer, 10% Pre-Consumer)	80% recyclable	20%
CPU600/ CPU200	51% recycled (34% Post-Consumer, 17% Pre-Consumer)	99% recyclable	43%
CPU555 CPU450 CPU300 CPU Dolly	30% recycled (21% Post-Consumer, 9% Pre-Consumer)	90% recyclable	26%
NeatLinks	50% recycled (50% Post-Consumer, 0% Pre-Consumer)	100% recyclable	50%
L6	30% recycled (23% Post-Consumer, 7% Pre-Consumer)	90% recyclable	27%

Humanscale Terms and Conditions

THE FOLLOWING TERMS & CONDITIONS APPLY TO ALL HUMANSCALE PRODUCTS.

TERMS OF PAYMENT

Upon approved credit, terms of payment are net 30 from date of shipment. Deposits may be required for large or custom orders. The processing of orders and/or shipment of orders placed may be delayed if the deposit is not received with the order or if customer's account is in "Past Due" status.

CREDIT POLICY

All customers of Humanscale must complete a credit application, with current information, which must be signed by an owner or officer. A line of credit may be set by our Credit Department, however the basis for the line of credit may be changed or cancelled at our discretion and advance payment may be required. Any unpaid balance, upon which payments are not made according to the terms governing the sale, will be considered "Past Due" and will increase by a maximum of 2% per month, without forfeit of Humanscale's right to payment.

Any customer who has failed to pay for goods delivered or services rendered in a timely manner shall be liable for all fees, expenses, disbursements, and charges (including all legal costs) incurred by Humanscale in collecting monies owed, as well as interest (at 24% per annum).

PURCHASE ORDERS

Purchase orders must include the following: "Bill To" and "Ship To" information—Company Name (Ship To company may be end user or installation company), Address, Telephone, Fax, Contact Person; End User Company Name; Requested Ship Date; Purchase Order Number; Special Delivery, Shipping and Packing Instructions (if applicable); Proper Discount Off Current List Price, Product Quantities and Full Model Numbers; and Total (List Net).

ORDER CHANGES & CANCELLATIONS

All changes to or cancellations of orders placed with Humanscale must be in writing and sent to Customer Service. Orders may be changed or cancelled without penalty if Humanscale is notified at least two (2) weeks before the scheduled ship date for standard orders (under 250 units), or at least three (3) weeks before the scheduled ship date for large orders (250 units or more). Order changes or cancellations made less than two (2) weeks before the scheduled ship date for standard orders or less than three (3) weeks before the scheduled ship date for large orders will incur a minimum change/cancellation fee of 10% of net. Irrespective of when notified, changes or cancellations are not binding upon Humanscale until Humanscale issues a written acknowledgment of the change or cancellation. Order changes are defined as the deletion of line items; changes in style, color, quantity or requested ship date; or ship-to address changes. Order changes that result in a quantity reduction may be subject to an additional small order fee or adjustment in pricing. Under no circumstances will changes or cancellations be accepted on any custom fabric, special order or custom product orders.

TAXES

Humanscale list prices do not include sales tax. Customer is responsible to remit all such tax. Humanscale requires a State Resale/Exemption Certification to be on file at its main office. Sales made without said Certificate will be charged the appropriate sales tax.

PRICES

All discounts and list prices are subject to change without notice. Prices are those in effect at the time of order entry. If the requested shipment date is more than 90 days after the order date, Humanscale reserves the right to price said order based on the published list price as of the shipment date.

SMALL ORDER FEE

A 3% small order fee applies to all invoiceable orders of \$1,500 net or less, including billable replacement parts, regardless of product category.

SHIPPING AND DELIVERY

All Humanscale orders are acknowledged with a promise date (scheduled ship date) based on the product with the longest lead time. Large orders may increase standard lead times. Standard shipping charges will be billed to customer. Custom platform orders require 4 to 6 weeks.

Seating orders, unless otherwise specified, will ship 4 to 6 weeks from the date of order. Unless otherwise contractually specified, Diffrient World, Freedom and Liberty chairs will ship with the base and frame disassembled. Chairs can be easily assembled in seconds without use of tools. Blanket-wrapped shipping is available for full truckloads of 200 or more Diffrient World, Freedom or Liberty Task and Conference chairs. Consult your Humanscale representative for blanket-wrapped shipping requirement for Cinto and the Liberty Side chair.

Ship Sets: All products ordered on a single purchase order will be delivered together in a single ship set. To break a ship set, customers must indicate "Ship as Available" on the purchase order. Upon request, customer accounts may be defaulted to ship all orders on an as-available basis.

Shipping Instructions: Humanscale will attempt to accommodate basic shipping instructions, such as "call ahead" or "deliver before 12:00 p.m.," if clearly identified on the purchase order as "Shipping Instructions."

Packing Instructions: Humanscale will attempt to accommodate basic packing instructions for internal delivery of specific items on an order, such as "Deliver to Joe Smith" or "Deliver to cube #218," if clearly identified on the purchase order as "Packing Instructions."

DELIVERY SHORTAGES

Product shortages must be noted at the time of delivery and reported to the carrier for correction. Claims against Humanscale for shortages, errors, etc., must be made in writing and within three (3) days of the date of delivery or customer waives its right to make such a claim.

FREIGHT CLAIMS

Humanscale will file all F.O.B. destination claims. In order to receive credit, customer agrees to cooperate and assist in the procedures set out by the carrier and Humanscale.

EXTERNAL DAMAGE

If the shipping container shows any external damage, customer is instructed to refuse the product at time of delivery. If it is a multiple piece shipment, customer may refuse only the damaged items. Humanscale will not issue full credit for returned product unless customer takes the following action steps:

Humanscale Terms and Conditions (cont.)

1. Note damage on the delivery receipt at time of delivery.
2. Refuse product at time of delivery.
3. Contact Humanscale Customer Service within 24 hours of the attempted delivery and advise them of the damage.
4. Enter a chargeable replacement order; credit will be issued after the disposition of damaged product is determined.

CONCEALED DAMAGE/LOSS

If customer determines that there is internal damage not visible at time of delivery, customer will retain all packaging materials and take the following action steps within fifteen (15) calendar days from the date of delivery:

1. Request inspection by calling local freight carrier to report damage.
2. Retain merchandise in the original box.
3. Call your Humanscale Customer Service agent to provide order and product information.
4. Get a copy of the inspection report from carrier.
5. Enter a chargeable replacement order; credit will be issued after the disposition of damaged product is determined.

STORAGE

If a customer is unable to accept a scheduled product delivery, Humanscale, if notified in writing after product assembly and prior to the scheduled ship date, will store the product at customer's expense. Humanscale shall invoice customer for the product and monthly Storage Fees.

Storage Fees will be 1% of the net order value per month or actual storage costs—whichever is greater. Storage Fees are calculated with a one-month minimum and will not be pro-rated. If customer is unable to accept a scheduled product upon delivery, customer shall be responsible for placing the product in storage and bears the risk of loss. However, payment of the balance due is per Humanscale's Terms of Payment.

RETURN AUTHORIZATIONS & REFUSALS

All returned and non-damaged refused orders are subject to a five percent (5%) restocking fee. Seating and special order returns will not be accepted. Customer must request a Return Authorization through the Humanscale Customer Service Department within 45 days of product receipt to return any product. If Humanscale agrees to restock the product, customer must return it freight prepaid to Humanscale, F.O.B., to the original shipping point or as otherwise instructed by Humanscale Customer Service. If product is returned without a Return Authorization, Humanscale will notify customer of the unauthorized return and customer must provide instructions for its disposition within one week thereafter. Failure of customer to respond within one week will result in Humanscale's right to dispose of the product with no credit. Return Authorizations expire sixty (60) days after the date of issue. If the returned product is not in resalable condition, customer will not receive credit for the return. Customer must promptly provide a purchase order or other acceptance of fees/credit reduction as required.

WARRANTY

THE FOLLOWING WARRANTY IS IN LIEU OF ALL OTHER WARRANTIES EXPRESS OR IMPLIED, INCLUDING, BUT NOT LIMITED TO, THE IMPLIED WARRANTY OF MERCHANTABILITY AND FITNESS FOR A PARTICULAR PURPOSE AND ALL OTHER WARRANTIES ARISING FROM COURSE OF DEALING OR USAGE OF TRADE.

Humanscale offers the following warranties on its products:

PRODUCT	WARRANTY
Customer's Own Material (COM, COL)	No Warranty
CFL Light Bulbs	1 Year, Single-Shift Warranty
Switch Mouse	1 Year, 24/7 Warranty
Artemide Tolomeo Light	2 Years, 24/7 Warranty
Diffrient Light	5 Years, 24/7 Warranty
Fabric/Cushions/Arm Pads	5 Years, Single-Shift Warranty
Element Light, Including Light Source	10 Years, 24/7 Warranty
M4, M7 & M8 Monitor Arms with Gas Cylinder Components	10 Years, 24/7 Warranty
All seating and other products detailed in a current Humanscale Price Guide, unless otherwise specified	15 Years, 24/7 Warranty
All other products NOT detailed in a current Humanscale Price Guide	Varies; consult your Humanscale representative for details

This Warranty is applicable to the initial purchaser only and is non-transferable. If products are procured through authorized Humanscale Dealerships, the end-user customer must be registered with Humanscale for the warranty to be in effect. Humanscale warrants that, at the time of customer's receipt, the product will be in good working order and will be free from defects in material and workmanship. This Warranty does not apply to normal wear and tear or damage caused by accident, neglect, misuse or improper installation or operation. Humanscale will not be responsible for damage due to service, maintenance, modifications or tampering by anyone other than a Humanscale authorized representative. In the event a product is defective and Humanscale receives written notice of the defect within the Warranty period, Humanscale, at its option, will either repair or replace the defective product. This Warranty does not cover damage caused by a carrier or transportation of the product from one location to another, or alterations made by owner.

LIMITATION OF LIABILITY

Purchaser's remedies set forth herein are exclusive and the liability of Humanscale with respect to the breach of this agreement or any contract entered into between the parties pursuant hereto shall not exceed the price of the product or part on which such liability is based. In no event will Humanscale be liable to purchasers for any special, collateral, incidental or consequential damages however caused, whether by Humanscale's negligence or otherwise.

The remedies provided above are the purchaser's sole remedies for any failure of Humanscale to comply with its obligations regarding the workmanship of its products. Correction of any nonconformity in the manner and for the period of time provided shall constitute complete fulfillment of all liabilities of Humanscale, with respect to or arising out of the product furnished hereunder.



Monitor Arms Price Guide

Price Guide - U.S. Prices effective November 2010



Customer Service

10 Inverness Drive East
Suite 100
Englewood, CO 80112
800 400 0625
303 858 9912
303 858 9916 fax
info@humanscale.com

U.S. Headquarters

11 East 26th Street
8th Floor
New York, NY 10010
212 725 4749
212 725 7545 fax

International Headquarters

13 Northburgh Street
London
EC1V 0JP
United Kingdom
+44 207 566 7990
+44 207 566 7991 fax
info@humanscale.co.uk

www.humanscale.com