



Seating

Pricing and Specification Guide



Humanscale designs and manufactures products for the workplace that directly impact the user's health and comfort. Since our founding in 1983, we have held the belief that design based on functionality and ease of use results in honest and enduring forms.

Other Humanscale price guides available in PDF format:



Lighting



Ergo Tools



Monitor Arms



Access Rail



Healthcare

For the most updated information on available Humanscale products, please visit:

www.humanscale.com

Table of Contents

freedom[®]

Features & Characteristics.....	4
Options & Prices.....	8
Specifications	10
Build Your Product Code	12

Liberty[®]

Features & Characteristics.....	14
Options & Prices.....	16
Specifications	20
Build Your Product Code	22

Diffrient *world*[™]

Features & Characteristics.....	26
Options & Prices.....	28
Specifications	30
Build Your Product Code	32

cinto[™]

Features & Characteristics.....	34
Specifications	35
Options & Prices.....	36
Build Your Product Code	37

Textiles.....	38
Humanscale and the Environment	42
Terms & Conditions	43

freedom® Features & Characteristics

With Freedom, the knobs, levers and locks of current-generation task chairs have been replaced by intelligent mechanisms that automatically support the body as it moves from task to task. By minimizing the need for manual controls, Freedom maximizes natural, spontaneous movement, which is essential for a healthy body and a comfortable day's work. Freedom's many features can be enjoyed with virtually no effort.



PHYSICAL CHARACTERISTICS

CUSHIONS

- Molded polyurethane foam cushions
- Optional arm pads and seat have top layer of Technogel®
- Upholstered with a variety of materials customized to the unique form of the cushion

CUSHION PANS, ARMREST SUPPORTS, AND HEADREST FRAME

- Injection-molded, structural, integral color plastics

EXTERNAL FRAME AND FIVE-ARM BASE

- Die-cast aluminum with fused plastic coating or polished aluminum finish

STORED ENERGY DEVICES

- Nitrogen-charged gas cylinder for adjustable seat height
- Coil spring in the self-adjusting recline mechanism
- Elastomer spring in the pivoting backrest

OPTIONAL FOOT RING

- Chrome-plated steel ring

STANDARD FEATURES

SELF-ADJUSTING RECLINE

- Intelligent counter-balance recline mechanism automatically provides the right amount of support through the full range of recline motion, regardless of user size and weight
- No tension springs to adjust
- No recline locks to set/release
- During recline, the angle between torso and legs opens up for better body function
- User maintains near-constant eye level during recline

PIVOTING BACKREST

- Extra motion of the backrest during recline automatically adjusts to the changing needs of the spine
- Provides up to 1" additional lumbar support when needed

SYNCHRONIZED ARMRESTS

- Revolutionary armrests move in tandem to eliminate uneven arm positioning
- Natural lift and release action for immediate repositioning without buttons or locks
- 6" range of vertical motion to accommodate all users and tasks
- Can be positioned below thigh level for close table or desk work
- Attached to backrest so arms stay in same relation to body during recline
- Duron arm pad for durability and comfort

STANDARD CYLINDER

- Provides seat height range that accommodates 95% of the population

CONTOURED CUSHIONS

- Carefully sculpted to match body contours
- Increased contact area reduces pressure points
- Modular for easy replacement

BODY FIT

- Size adjustable to fit more than 95% of the population
- Adjustments for fit-to-size:
 - Headrest: 5" vertical adjustment range
 - Seat Height: 5" adjustment range
 - Seat Depth: 2.25" adjustment range
 - Backrest/Lumbar Support Height: 3" adjustment range

HARD CASTERS

- 2.5" double-wheel casters for carpeted floors

OPTIONAL FEATURES

DYNAMIC HEADREST

- Position-sensitive headrest moves into place when you recline and out of the way when you sit upright
- 5" vertical adjustment to fit all users
- Moves in the natural arc of head/neck for perfect support through range of recline
- Contoured to cradle the head and neck in comfort

GEL SEAT CUSHION

- Non-degradable, non-compressible Technogel® layer on top of foam core
- Provides maximum pressure distribution
- Offers unmatched, long-term comfort

ARM PAD OPTION

- Standard Flexible Duron
- Xanium Technogel® for optimal comfort

ADVANCED ARMRESTS

- Pivot at elbow for width adjustment
- Lockable in 5° increments
- Automatic unlock feature when positioned inward and user wishes to exit chair
- 1.25" longer than Standard Armrests for additional forearm support

CYLINDER OPTIONS

- Low cylinder for small users
- Tall cylinder for very tall users
- High cylinder with foot ring
- Extra-high cylinder with foot ring (Saddle seat only)

FOOT RING

- Polished finish
- Height-adjustable

CASTER OPTIONS

- 2.5" soft double-wheel casters for hard floors
- Non-rolling glides for fixed-location use
- 2.5" locking casters

FIREPROOFING

- CAL 133-approved
 - Fireproof barrier between textile and foam
 - Fire-retardant plastics

freedom® Options & Prices

TASK CHAIR



Armless	F110
Standard Duron Arms	F111
Standard Duron Arms with Matching Textile Cover	F112
Standard Gel Arms with Xanium Cover	F11X
Standard Gel Arms with Matching Textile Cover	F11M
Advanced Duron Arms*	F113
Advanced Duron Arms with Matching Textile Cover*	F114
Advanced Gel Arms with Xanium Cover	F11D
Advanced Gel Arms with Matching Textile Cover	F11C

TASK CHAIR WITH HEADREST



Armless	F210
Standard Duron Arms	F211
Standard Duron Arms with Matching Textile Cover	F212
Standard Gel Arms with Xanium Cover	F21X
Standard Gel Arms with Matching Textile Cover	F21M
Advanced Duron Arms*	F213
Advanced Duron Arms with Matching Textile Cover*	F214
Advanced Gel Arms with Xanium Cover	F21D
Advanced Gel Arms with Matching Textile Cover	F21C

SADDLE SEAT AND PONY SADDLE



Saddle Seat	F300
Pony Saddle	F400

* Advanced Duron Arms available third quarter 2011.


TEXTILE 0	TEXTILE 1	TEXTILE 2	TEXTILE 3	LEATHER 0	LEATHER 1	LEATHER 2	LEATHER 3
\$985	\$1005	\$1060	\$1155	\$1340	\$1820	\$2225	\$2375
\$1090	\$1110	\$1165	\$1260	\$1445	\$1925	\$2330	\$2480
\$1115	\$1135	\$1190	\$1285	\$1470	\$1950	\$2355	\$2505
\$1120	\$1140	\$1195	\$1290	\$1475	\$1955	\$2360	\$2510
\$1145	\$1165	\$1220	\$1315	\$1500	\$1980	\$2385	\$2535
\$1175	\$1195	\$1250	\$1345	\$1530	\$2010	\$2415	\$2565
\$1200	\$1220	\$1275	\$1370	\$1555	\$2035	\$2440	\$2590
\$1205	\$1225	\$1280	\$1375	\$1560	\$2040	\$2445	\$2595
\$1230	\$1250	\$1305	\$1400	\$1585	\$2065	\$2470	\$2620

\$1180	\$1200	\$1265	\$1370	\$1585	\$2080	\$2490	\$2665
\$1285	\$1305	\$1370	\$1475	\$1690	\$2185	\$2595	\$2770
\$1310	\$1330	\$1395	\$1500	\$1715	\$2210	\$2620	\$2795
\$1315	\$1335	\$1400	\$1505	\$1720	\$2215	\$2625	\$2800
\$1340	\$1360	\$1425	\$1530	\$1745	\$2240	\$2650	\$2825
\$1370	\$1390	\$1455	\$1560	\$1775	\$2270	\$2680	\$2855
\$1395	\$1415	\$1480	\$1585	\$1800	\$2295	\$2705	\$2880
\$1400	\$1420	\$1485	\$1590	\$1805	\$2300	\$2710	\$2885
\$1425	\$1445	\$1510	\$1615	\$1830	\$2325	\$2735	\$2910

\$315	\$325	\$355	\$405	\$500	\$750	\$945	\$1020
\$285	\$295	\$325	\$375	\$470	\$720	\$915	\$990

freedom® Options & Prices

REPLACEMENT PARTS*	OPTIONS	CODE
Replacement Cushions 	Seat (Foam)	S 1222 FC —
	Seat (Gel)	S 1222 GC —
	Back	B 1222 FC —
	Saddle Seat	L 1222 C —
	Pony Saddle	LP 1222 C —
	Headrest	H 1222 FC —
	Standard Duron Arm Pads (Pair)	FA \$45
	Advanced Duron Arm Pads (Pair)**	FV \$45
	Standard Gel Arm Pads with Xanium Cover (Pair)	FX \$75
	Advanced Gel Arm Pads with Xanium Cover (Pair)	FD \$75
	Standard Duron Arm Pads with Matching Textile (Pair)	FAM 1222 C —
	Advanced Duron Arm Pads with Matching Textile (Pair)**	FVM 1222 C —
	Standard Gel Arm Pads with Matching Textile (Pair)	FXM 1222 C —
	Advanced Gel Arm Pads with Matching Textile (Pair)	FDM 1222 C —

RETROFIT PARTS*	ARM OPTIONS	
Retrofit Armrest Kits 	Advanced Duron Arms**	KDA 3 \$180
	Advanced Gel Arms with Xanium Cover	KA 3 \$210
	Advanced Duron Arms with Matching Textile**	KDAM 31222 C —
	Advanced Gel Arms with Matching Textile	KAM 31222 C —

1 - Textile Code (pages 38-40) 2 - Cushion Color (pages 38-40) 3 - Frame/Cushion Shell Color (G=Graphite, T=Titanium)

* All Freedom Replacement and Retrofit Parts are CAL 133-approved.

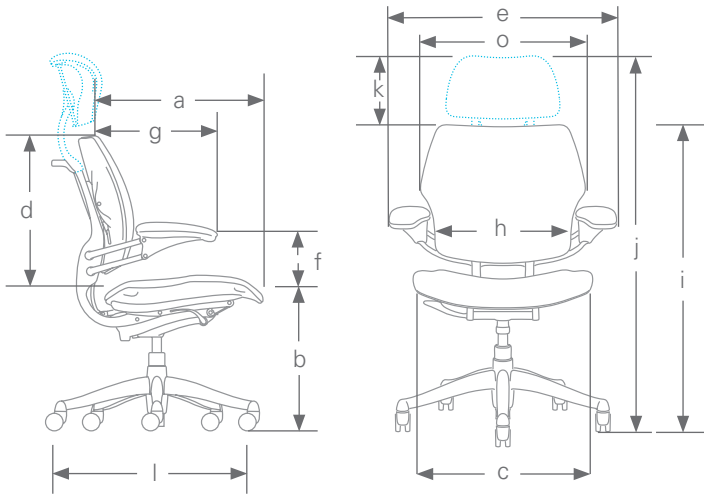
** Advanced Duron Arms available third quarter 2011.

TEXTILE 0	TEXTILE 1	TEXTILE 2	TEXTILE 3	LEATHER 0	LEATHER 1	LEATHER 2	LEATHER 3
\$115	\$125	\$150	\$200	\$310	\$545	\$750	\$825
\$189	\$199	\$224	—	—	—	—	—
\$115	\$125	\$150	\$200	\$310	\$545	\$750	\$825
\$130	\$140	\$190	\$235	\$340	\$580	\$790	\$865
\$115	\$125	\$175	\$220	\$325	\$565	\$775	\$850
\$100	\$110	\$120	\$140	\$165	\$235	\$300	\$375
—	—	—	—	—	—	—	—
—	—	—	—	—	—	—	—
—	—	—	—	—	—	—	—
—	—	—	—	—	—	—	—
\$55	\$65	\$85	\$85	\$95	\$115	\$145	\$185
\$55	\$65	\$85	\$85	\$95	\$115	\$145	\$185
\$85	\$95	\$115	\$115	\$125	\$145	\$175	\$215
\$85	\$95	\$115	\$115	\$125	\$145	\$175	\$215

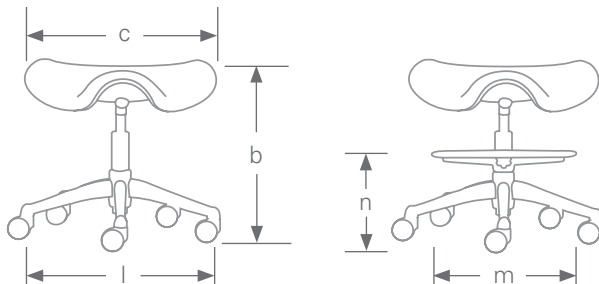
—	—	—	—	—	—	—	—
—	—	—	—	—	—	—	—
\$190	\$200	\$210	\$210	\$220	\$245	\$280	\$325
\$220	\$230	\$240	\$240	\$250	\$275	\$310	\$355

freedom® Specifications

TASK CHAIR



SADDLE SEAT



SCOPE OF USERS

- Standard chair fits more than 95% of the office population
 - 5'0" Woman to 6'4" Man
 - 100 to 300 lbs.
- Users outside the standard range can be accommodated by
 - Low or Tall Cylinder
 - Advanced Armrests

WEIGHT

- 35 lbs. Standard Chair
- 39 lbs. Chair with Headrest
- 13.9 lbs. Saddle
- 19 lbs. Saddle with Foot Ring
- 12.5 lbs. Pony Saddle
- 16.5 lbs. Pony Saddle with Foot Ring

BACKREST RECLINE

- 22° recline plus 7° backrest tilt

REFERENCE ANGLE BETWEEN SEAT AND BACK

- 100° to 129°

ADVANCED TASK ARMRESTS

- Horizontal angle change from elbow pivot point
 - 35° each armrest
 - Lockable in 5° increments

HEADREST RADIAL MOTION

(automatic motion during recline)

- 30°

LUMBAR SUPPORT INCREASE IN RECLINE

- 1"

CODE	DESCRIPTION	MEASUREMENT
a	seat depth <i>(from face of lumbar to front of seat)</i>	16.25" – 18.5"
b	seat height <i>(floor to compressed front center of seat cushion)</i>	16" – 21" standard chair 15.25" – 19" low-cylinder chair 17" – 22.25" tall-cylinder chair 20.5" – 28.5" high-cylinder chair 17.5" – 22.75" standard Saddle / Pony 20.25" – 28.25" high Saddle / Pony 23" – 33" extra-high Saddle / Pony
c	seat width	21" chair 22" Saddle seat 16" Pony Saddle seat
d	backrest height <i>(from seat cushion to top of backrest)</i> – adjustment range	18" – 21" 3" in 0.25" increments
e	chair width	27.25"
f	armrest height <i>(compressed seat cushion to top of armrest)</i> – adjustment range	5" – 11" 6" in 0.33" increments
g	armrest length <i>(from face of lumbar to front of armrest)</i>	13" standard 14.25" advanced
h	distance between armrests <i>(front inside edge)</i>	20" standard 11.5" – 21.5" advanced
i	height, task chair	33.5" – 41.5" standard chair 32.75" – 39.5" low-cylinder chair 34.5" – 42.75" tall-cylinder chair 38" – 49" high-cylinder chair
j	height, task chair with headrest	43" – 53" standard chair 42.25" – 51" low-cylinder chair 44" – 54.25" tall-cylinder chair 47.5" – 60.5" high-cylinder chair
k	headrest height adjustment range	5"
l	base diameter	25" chair, high or extra-high Saddle / Pony 22" standard Saddle / Pony
m	foot ring diameter	18" or 21"
n	foot ring height adjustment <i>(from floor)</i>	6" – 11"
o	backrest width	21"

freedom® Build Your Product Code

Line	Style	Mech	Armrests	Frame Color	Textile	Textile Color	Gel Seat	Cylinder	Casters	Fire-Proofing	Base Upgrade	Shipping
1	2	3	4	5	6	7	8	9	10	11	12	13

COMPONENT	CODE	DESCRIPTION
-----------	------	-------------

1 LINE F Freedom

2 STYLE 1 Standard Task Chair
 2 Task Chair with Headrest
 3 Saddle Seat
 4 Pony Saddle Seat

3 MECHANISM 1 Standard
 0 Saddle/Pony

4 ARMRESTS 0 Armless *(Required option for Saddle/Pony)*
 1 Standard Duron Arms
 2 Standard Duron Arms with Matching Textile
 3 Advanced Duron Arms*
 4 Advanced Duron Arms with Matching Textile*
 X Standard Gel Arms with Xanium Cover
 M Standard Gel Arms with Matching Textile
 D Advanced Gel Arms with Xanium Cover
 C Advanced Gel Arms with Matching Textile

5 FRAME COLOR G Graphite
 T Titanium
 A Polished Aluminum with Graphite shells on cushions and armrests** *(see pricing below)*
 M Polished Aluminum with Titanium shells on cushions and armrests** *(see pricing below)*
For A or M, add \$245 for Task Chair with Headrest, \$225 for Standard Task Chair, \$130 for Saddle/Pony

6 TEXTILE *See pages 38-40 and textile samples for textile codes.*

7 TEXTILE COLOR *See pages 38-40 and textile samples for color options and codes.*

*Advanced Duron Arms available third quarter 2011

**Comes standard with polished aluminum base.

COMPONENT	CODE	DESCRIPTION	
8 GEL SEAT	—	Standard Foam Seat Pan	
	G ¹	Gel Seat (Add \$74) <i>(Available only with V, B, H, S, G, K, F or W textiles)</i>	
9 CYLINDER	—	Standard 5"	<i>Note: Polished Aluminum chairs ship with Polished cylinders. Graphite and Titanium chairs ship with Black cylinders. Extra-high (X, Z) available in Black only.</i>
	L	Low 3.75" (Add \$26)	
	T	Tall 5" (Add \$37)	
	H ²	High 8" (Add \$37)	
	F	High 8" w/18" Foot Ring (Add \$110)	
	R	High 8" w/21" Foot Ring (Add \$152)	
	X ^{2,3}	Extra-High 10" w/18" Foot Ring (Add \$110)	
Z ^{2,3}	Extra-High 10" w/21" Foot Ring (Add \$152)		
10 CASTERS	—	Standard Hard Casters	
	S	Soft Casters (Add \$21)	
	G	Glides (Add \$21)	
	K	Locking Casters (Add \$110)	
11 FIRE-PROOFING	—	Standard Foams and Plastics	
	C	CAL 133-Approved Foams and Plastics (Add \$74 for Task Chair with Headrest, \$58 for Standard Task Chair, \$32 for Saddle/Pony)	
12 BASE UPGRADE	—	Standard Aluminum Base to match frame color	
	A	Polished Aluminum Base on Graphite or Titanium Frame (Add \$130)	
13 SHIPPING	—	Individually Boxed	
	B	Blanket Wrapped ⁴	

¹ Not available on Saddle Seat

² Only available on Saddle Seat

³ Requires Glides or Locking Casters

⁴ See Terms and Conditions, page 43, for minimum order requirements

Liberty® Features & Characteristics

Liberty, with Form-Sensing Mesh Technology, is unlike any mesh chair you've seen or experienced. With its tri-panel construction, Liberty has the body-fitting contours that single-panel stretch mesh chairs simply can't achieve. And it offers perfect lumbar support for everyone, without external devices or manual adjustments. Liberty's mesh back is formed by combining three panels of non-stretch mesh in the same way a tailor combines multiple pieces of material to form a shirt. So its contours are custom-made to both fit and support the human body in unprecedented comfort.



PHYSICAL CHARACTERISTICS

CUSHIONS

- Non-stretch, tri-panel mesh back
- Molded polyurethane foam seat cushion
- Duron arm pads
- Optional arm pads and seats have top layer of Technogel®
- Seats upholstered with a variety of materials customized to the unique form of the cushion

CUSHION PAN, BACK FRAME, FIVE-ARM BASE

- Injection-molded, structural, integral color plastics
- Optional stainless steel caps on base

EXTERNAL FRAME

- Die-cast aluminum with fused plastic coating or polished aluminum finish

STORED ENERGY DEVICES

- Nitrogen-charged gas cylinder for adjustable seat height
- Coil spring in the self-adjusting recline mechanism
- Torsion spring in the pivoting backrest

OPTIONAL FOOT RING

- Chrome-plated steel

STANDARD FEATURES

SELF-ADJUSTING RECLINE

- Intelligent counter-balance recline mechanism automatically provides the right amount of support through the full range of recline motion, regardless of user size and weight
- No tension springs to adjust
- No recline locks to set/release
- During recline, the angle between torso and legs opens up for better body function
- User maintains near-constant eye level during recline

PIVOTING BACKREST

- Extra motion of the backrest during recline automatically adjusts to the changing needs of the spine
- Provides additional lumbar support as needed

FORM-SENSING MESH

- Tri-panel, non-stretch mesh construction creates body-fitting contours and self-adjusting lumbar support for a customized fit
- No external lumbar devices to adjust, break or lose
- Low-abrasion mesh protects clothing
- Modular for easy replacement

STANDARD CYLINDER

- Provides seat height range that accommodates 95% of the population

CONTOURED SEAT CUSHION

- Carefully sculpted to match body contours
- Increased contact area reduces pressure points
- Modular for easy replacement

BODY FIT

- Size adjustable to fit more than 95% of the population
- Form-sensing mesh provides perfect lumbar support—automatically
- Manual adjustments for fit-to-size:
 - Seat Height: 5" adjustment range
 - Seat Depth: 2.25" adjustment range

CASTERS

- 3" casters for carpeted floors

OPTIONAL FEATURES

ARMREST OPTIONS

- Armless
- Fixed armrests
- Height-adjustable armrests with 5" range of adjustment

GEL SEAT CUSHION

- Non-degradable, non-compressible Technogel® layer on top of foam core
- Provides maximum pressure distribution
- Offers unmatched long-term comfort

ARM PAD OPTIONS

- Standard Flexible Duron
- Xanium Technogel® for optimal comfort

CYLINDER OPTIONS

- Low cylinder for small users
- Tall cylinder for very tall users
- High cylinder with foot ring

FIREPROOFING

- CAL 133-approved
 - Fireproof barrier between textile and foam
 - Fire-retardant plastics

CASTER OPTIONS

- 3" soft casters for hard floors
- Non-rolling glides for fixed location use

POLISHED BASE CAPS

- Stainless steel caps on five-star base for wear protection and aesthetic appeal

FOOT RING

- Polished finish
- Height-adjustable
- 18" or 21" diameter

Liberty® Options & Prices

CONFERENCE CHAIR	ARM OPTIONS	CODE
 <p>Armless</p>  <p>Fixed Arms</p>	Armless	L110
	Fixed Duron Arms	L116
	Fixed Duron Arms with Matching Textile Cover	L117
	Fixed Gel Arms with Xanium Cover	L11X
	Fixed Gel Arms with Matching Textile Cover	L11M

TASK CHAIR		
 <p>Adjustable Arms</p>	Height-Adjustable Duron Arms	L111
	Height-Adjustable Duron Arms with Matching Textile Cover	L112
	Height-Adjustable Gel Arms with Xanium Cover	L11D
	Height-Adjustable Gel Arms with Matching Textile Cover	L11C

SIDE CHAIR		
	Armless	L400
	Fixed Duron Arms	L406
	Fixed Duron Arms with Matching Textile Cover*	L407
	Fixed Gel Arms with Xanium Cover	L40X
	Fixed Gel Arms with Matching Textile Cover*	L40M

* Available with textile-covered seat only.

TEXTILE 0	TEXTILE 1	TEXTILE 2	TEXTILE 3	LEATHER 0	LEATHER 1	LEATHER 2	LEATHER 3
\$910	\$930	\$955	\$1005	\$1100	\$1340	\$1545	\$1545
\$1015	\$1035	\$1060	\$1110	\$1205	\$1445	\$1650	\$1650
\$1040	\$1060	\$1085	\$1135	\$1230	\$1470	\$1675	\$1675
\$1045	\$1065	\$1090	\$1140	\$1235	\$1475	\$1680	\$1680
\$1070	\$1090	\$1115	\$1165	\$1260	\$1500	\$1705	\$1705

\$1090	\$1110	\$1135	\$1185	\$1280	\$1520	\$1725	\$1725
\$1115	\$1135	\$1160	\$1210	\$1305	\$1545	\$1750	\$1750
\$1120	\$1140	\$1165	\$1215	\$1310	\$1550	\$1755	\$1755
\$1145	\$1165	\$1190	\$1240	\$1335	\$1575	\$1780	\$1780

MESH	TEXTILE 0	TEXTILE 1	TEXTILE 2	TEXTILE 3			
\$490	\$530	\$550	\$570	\$590	—	—	—
\$575	\$615	\$635	\$655	\$675	—	—	—
—	\$640	\$660	\$680	\$700	—	—	—
\$605	\$645	\$665	\$685	\$705	—	—	—
—	\$670	\$690	\$710	\$730	—	—	—

Liberty® Options & Prices

REPLACEMENT PARTS†	OPTIONS	CODE				
LIBERTY CONFERENCE/TASK Replacement Cushions	Seat (Foam)	LSF	1222	C	—	
	Seat (Gel)	LSG	1222	C	—	
	Mesh Backrest	LB	3422		\$175	
	Fixed Duron Arm Pads (Pair)	LDA	5		\$45	
	Fixed Gel Arm Pads with Xanium Cover (Pair)	LGA			\$75	
	Height-Adjustable Duron Arm Pads (Pair)	LDV	5		\$45	
	Height-Adjustable Gel Arm Pads with Xanium Cover (Pair)	LGV			\$75	
	Fixed Duron Arm Pads with Matching Textile (Pair)	LDAM	1222	C	—	
	Fixed Gel Arm Pads with Matching Textile (Pair)	LGAM	1222	C	—	
	Height-Adjustable Duron Arm Pads with Matching (Pair)	LDVM	1222	C	—	
	Height-Adjustable Gel Arm Pads with Matching Textile (Pair)	LGVM	1222	C	—	
	LIBERTY SIDE CHAIR Replacement Cushions	Mesh Backrest	LSCB	3422		\$175
		Mesh Seat Cushion	LSCS	3422		\$175
Textile-covered Seat Cushion**		LSCSM	31222		—	
Duron Arm Pads (Pair)		LSDA	5		\$45	
Gel Arm Pads with Xanium Cover (Pair)		LSGA			\$75	
Duron Arm Pads with Matching Textile Cover (Pair)*		LSDAM	1222		—	
Gel Arm Pads with Matching Textile Cover (Pair)*		LSGAM	1222		—	

1 – Textile Code (pages 38-41) 2 – Cushion Color (pages 38-41) 3 – Frame Color (B, V, L, A, P) 4 – Mesh (M, C, T, J, A, N) 5 – Arm Pad Color (S, B)

* Available with textile-covered seat only.

** U, E, Z, L, P, R, Y not available on textile-covered seat.

† All Liberty Replacement and Retrofit Parts are CAL 133-approved.

TEXTILE 0	TEXTILE 1	TEXTILE 2	TEXTILE 3	LEATHER 0	LEATHER 1	LEATHER 2	LEATHER 3
-----------	-----------	-----------	-----------	-----------	-----------	-----------	-----------

\$115	\$125	\$150	\$200	\$310	\$545	\$750	\$825
\$189	\$199	\$224	—	—	—	—	—
—	—	—	—	—	—	—	—
—	—	—	—	—	—	—	—
—	—	—	—	—	—	—	—
—	—	—	—	—	—	—	—
—	—	—	—	—	—	—	—
\$55	\$65	\$85	\$85	\$95	\$115	\$145	\$185
\$85	\$95	\$115	\$115	\$125	\$145	\$175	\$215
\$55	\$65	\$85	\$85	\$95	\$115	\$145	\$185
\$85	\$95	\$115	\$115	\$125	\$145	\$175	\$215

—	—	—	—	—	—	—	—
—	—	—	—	—	—	—	—
\$185	\$195	\$215	\$215	—	—	—	—
—	—	—	—	—	—	—	—
—	—	—	—	—	—	—	—
\$55	\$65	\$85	\$85	\$95	\$115	\$145	\$185
\$85	\$95	\$115	\$115	\$125	\$145	\$175	\$215

Liberty® Options & Prices

RETROFIT PARTS†	ARM OPTIONS			
LIBERTY CONFERENCE/TASK	Fixed Duron Arms (Pair)	LKFD	35	\$115
Retrofit Armrest Kits	Fixed Gel Arms with Xanium Cover (Pair)	LKFG	3	\$145
	Height-Adjustable Duron Arms (Pair)	LKD	35	\$160
	Height-Adjustable Gel Arms with Xanium Cover (Pair)	LKA	3	\$190
	Fixed Duron Arms with Matching Textile (Pair)	LKFDM	31222 C	—
	Fixed Gel Arms with Matching Textile (Pair)	LKFGM	31222 C	—
	Height-Adjustable Duron Arms with Matching Textile (Pair)	LKDM	31222 C	—
	Height-Adjustable Gel Arms with Matching Textile (Pair)	LKAM	31222 C	—
LIBERTY SIDE CHAIR	Fixed Duron Arms (Pair)	LSKFD	35	\$105
Retrofit Armrest Kits	Fixed Gel Arms with Xanium Cover (Pair)	LSKFX	3	\$135
	Fixed Duron Arms with Matching Textile Cover(Pair)*	LSKFDM	31222	
	Fixed Gel Arms with Matching textile Cover (Pair)*	LSKFGM	31222	

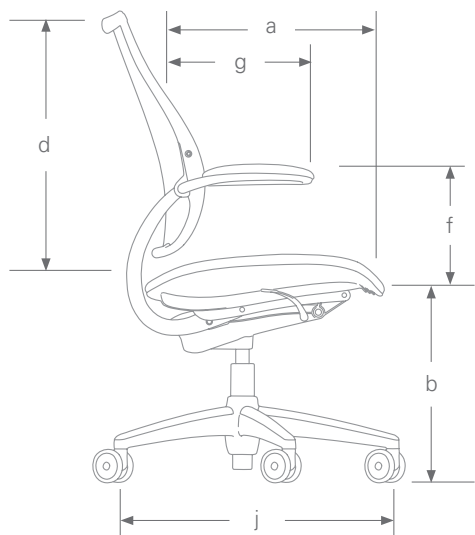
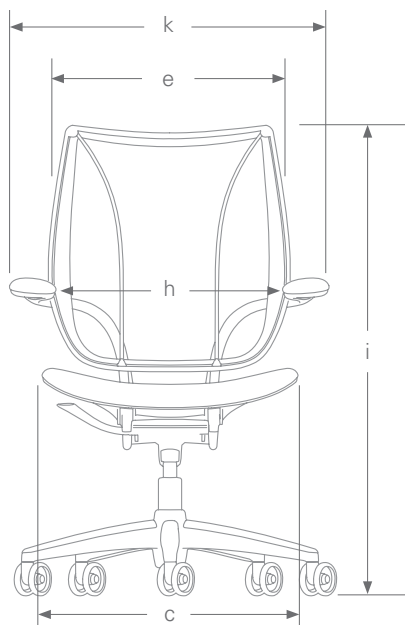
1 – Textile Code (pages 38-41) 2 – Cushion Color (pages 38-41) 3 – Frame Color (B, V, L, A, P) 4 – Mesh (M, C, T, J, A, N) 5 – Arm Pad Color (S, B)

* Available with textile-covered seat only.

† All Liberty Replacement and Retrofit Parts are CAL 133-approved.

TEXTILE 0	TEXTILE 1	TEXTILE 2	TEXTILE 3	LEATHER 0	LEATHER 1	LEATHER 2	LEATHER 3
—	—	—	—	—	—	—	—
—	—	—	—	—	—	—	—
—	—	—	—	—	—	—	—
—	—	—	—	—	—	—	—
\$125	\$135	\$155	\$155	\$165	\$185	\$215	\$255
\$155	\$165	\$185	\$185	\$195	\$215	\$245	\$285
\$170	\$180	\$200	\$200	\$210	\$230	\$260	\$300
\$200	\$210	\$230	\$230	\$240	\$260	\$290	\$330
—	—	—	—	—	—	—	—
—	—	—	—	—	—	—	—
\$115	\$125	\$145	\$145	\$155	\$175	\$205	\$245
\$145	\$155	\$175	\$175	\$185	\$205	\$235	\$275

Liberty® Specifications



CODE	DESCRIPTION	MEASUREMENT
a	seat depth <i>(from face of lumbar to front of seat)</i>	16.5" – 18.75"
b	seat height <i>(from floor to compressed front center of seat cushion)</i>	16" – 21" standard chair 15.25" – 19" low chair 17" – 22.25" tall chair 20.5" – 28.5" high chair with foot ring
c	seat width	21"
d	backrest height <i>(from seat cushion to top of backrest)</i>	22.5"
e	backrest width	20"
f	armrest height <i>(from compressed seat cushion to top of armrest)</i>	10" fixed 6.5" – 11.5" adjustable
g	armrest length <i>(from face of lumbar to front of armrest)</i>	12.25"
h	distance between armrests	19"
i	height	38.5" – 43.5" standard chair 37.75" – 41.5" low-cylinder chair 39.5" – 44.75" tall-cylinder chair 43" – 51" high chair with foot ring
j	base diameter	25"
k	chair width	26.5"

SCOPE OF USERS

- Conference/Task chair fits more than 95% of the office population
– 5'0" Woman to 6'4" Man
– 100 to 300 lbs.
- Users outside the standard range can be accommodated by Low or Tall Cylinder

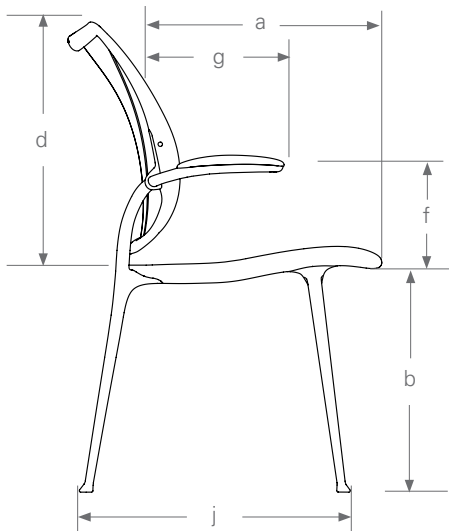
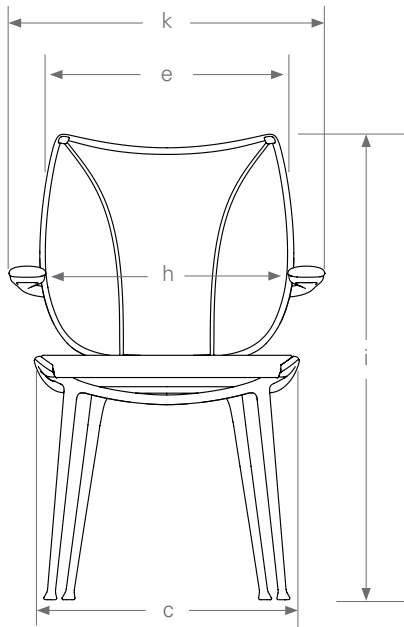
WEIGHT

- 27 lbs. *Conference/Task chair*
- ## TILT AND RECLINE
- 17° recline plus 7° backrest tilt
Conference/Task chair

REFERENCE ANGLE BETWEEN SEAT AND BACK

- 100° to 124° *Conference/Task chair*

Liberty® Specifications



CODE	DESCRIPTION	MEASUREMENT
a	seat depth <i>(from face of lumbar to front of seat)</i>	17.5"
b	seat height <i>(from floor to compressed front center of seat cushion)</i>	18"
c	seat width	20.75"
d	backrest height <i>(from seat cushion to top of backrest)</i>	18.5"
e	backrest width	19.75"
f	armrest height <i>(from compressed seat cushion to top of armrest)</i>	9.5"
g	armrest length <i>(from face of lumbar to front of armrest)</i>	12"
h	distance between armrests	19.25"
i	height	35.5"
j	base diameter	N/A
k	chair width	24.75"

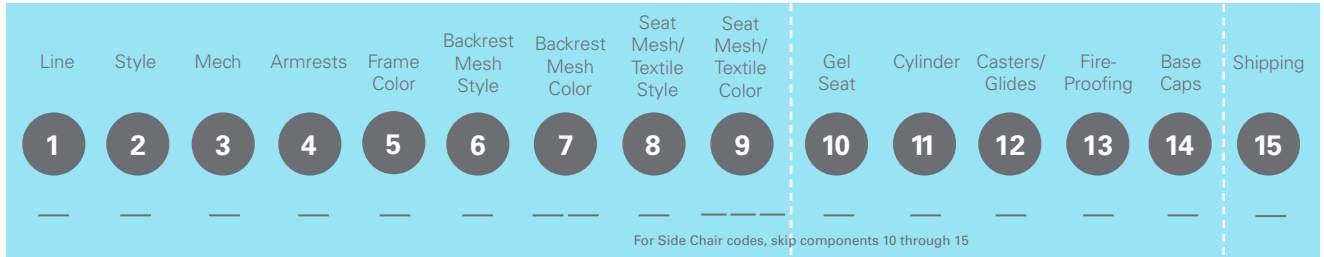
SCOPE OF USERS

- Side chair fits more than 95% of the office population
 - 5'0" Woman to 6'4" Man
 - 100 to 300 lbs.

WEIGHT

- 15 lbs. *Side chair*

Liberty® Build Your Product Code



COMPONENT	CODE	DESCRIPTION	
1 LINE	L	Liberty	
2 STYLE	1 4	Conference/Task chair Side chair	
3 MECHANISM	0 1	Side chair Conference/Task chair	
4 ARMRESTS	0 1 2 6 7 X M D C	Armless Adjustable Duron Arms* Adjustable Duron Arms with Matching Textile* Fixed Duron Arms Fixed Duron Arms with Matching Textile† Fixed Gel Arms with Xanium Cover Fixed Gel Arms with Matching Textile† Adjustable Gel Arms with Xanium Cover* Adjustable Gel Arms with Matching Textile*	Note: Duron arm pads match Trim Color (see Frame Color), Xanium arm pads are Black
5 FRAME COLOR	B V L A P	Black with Black Trim Silver with Silver Trim Silver with Black Trim Polished Aluminum with Black Trim and Polished Base Caps (see pricing below) Polished Aluminum with Silver Trim and Polished Base Caps (see pricing below)	Note: Frame Color refers to all metal parts (back support, arm supports), Trim Color refers to all plastic parts (base, backrest frame, seat shell, etc.)
For A or P, add \$126 for Conference/Task chair, \$84 for Side chair			
6 BACKREST MESH STYLE	M C T A J N	Monofilament Stripe Silver Check Torque† Dash Catena†† Pinstripe††	See page 41 and textile samples for mesh descriptions and specifications.

COMPONENT	CODE	DESCRIPTION	
7	BACKREST MESH COLOR	<i>See page 41 and textile samples for mesh color options and codes.</i>	
8	SEAT MESH/ TEXTILE STYLE	<i>See pages 38-41 and textile samples for textile codes.</i>	<i>Note: Extended lead times may apply for Liberty Side Chairs with textile-covered seat. Please consult your Humanscale representative.</i>
9	SEAT MESH/ TEXTILE COLOR	<i>See pages 38-41 and textile samples for color options and codes.</i>	<i>Note: U, E, Z, L, P, R, Y not available on Side chair</i>
10	GEL SEAT*	— Standard Seat Pan G Gel Seat (Add \$74)	<i>Available only with V, B, H, S, G or W textiles</i>
11	CYLINDER*	— Standard 5" L Low 3.75" (Add \$26) T Tall 5" (Add \$37) F High 8" w/18" Foot Ring (Add \$110) R High 8" w/21" Foot Ring (Add \$152)	<i>Note: Silver Trim chairs ship with Polished Aluminum cylinders. Black Trim chairs ship with Black cylinders</i>
12	CASTERS/* GLIDES	— Standard 3" Casters for carpeted floors S Soft Casters G Glides (Add \$21)	
13	FIREPROOFING	— Standard Foams and Plastics C CAL 133-Approved Foams and Plastics (Add \$42)	<i>Note: Standard Side Chair is CAL 133-approved</i>
14	BASE CAPS*	— Standard Base to Match Trim Color — Polished Base Caps with Polished Aluminum Frame A Polished Base Caps with Black or Silver Frame (Add \$41)	
15	SHIPPING	— Individually Boxed B Blanket Wrapped**	

* Not available on Side chair

** See Terms and Conditions, page 43, for minimum order requirements

† On Side chairs available with textile-covered seat only

†† Available 2011

Diffrient world™ Features & Characteristics

Diffrient World marks Humanscale's first foray into all-mesh task seating. Like its mesh-backed forerunner, Liberty, Diffrient World's tri-panel backrest hugs the body to provide tailor-made lumbar support, while its mesh seat eliminates contact stress under the thighs. But Diffrient World's major innovation is its mechanism-free recline action, which leverages two parts of the chair's frame, the user's body weight, and the laws of physics to provide automatic and balanced support throughout the full range of recline. No chair is more intuitive, creating the ultimate user-friendly sitting experience.



PHYSICAL CHARACTERISTICS

CUSHIONS

- Non-stretch, tri-panel mesh back
- Non-stretch mesh seat
- Optional upholstered polyurethane foam seat cushion

EXTERNAL FRAME

- Injection-molded, structural, integral color glass-filled Nylon 6

STORED ENERGY DEVICES

- Pneumatic cylinder for adjustable seat height

OPTIONAL FOOT RING

- Chrome-plated steel

STANDARD FEATURES

SELF-ADJUSTING RECLINE

- Mechanism-free counter-balance recline action automatically provides the right amount of support through the full range of recline motion, regardless of user size and weight
- No tension springs to adjust
- No recline locks to set/release
- During recline, the angle between torso and legs opens up for better body function
- User maintains near-constant eye level during recline

PIVOTING BACKREST

- Extra motion of the backrest during recline automatically adjusts to the changing needs of the spine
- Provides additional lumbar support as needed

FORM-SENSING MESH

- Tri-panel, non-stretch mesh construction creates body-fitting contours and self-adjusting lumbar support for a customized fit
- No external lumbar devices to adjust, break or lose
- Low-abrasion mesh protects clothing
- Modular for easy replacement and upgrades

NON-STRETCH MESH SEAT

- Automatically sculpts to match body contours
- Cradles the body in flexible, breathable mesh
- Frameless front edge eliminates contact stress under the thighs

STANDARD CYLINDER

- Provides seat height range that accommodates 95% of the population

BODY FIT

- Size adjustable to fit 95% of the population
- Form-sensing mesh provides perfect lumbar support—automatically
- Manual adjustments for fit-to-size:
 - Seat Height: 5" (127mm) adjustment range
 - Seat Depth: 3.5" (89mm) adjustment range

CASTERS

- 3" (76mm) standard hard casters

OPTIONAL FEATURES

ARMREST OPTIONS

- Armless
- Fixed armrests
- Height-adjustable armrests with 3.2" (81mm) range of adjustment

ARM PAD OPTIONS

- Flexible Duron
- Matching textile-covered arm pad

UPHOLSTERED SEAT CUSHION

- Mesh topped with a thin layer of polyurethane foam
- Upholstered in a variety of textile options

CYLINDER OPTIONS

- Low cylinder for small users
- Tall cylinder for very tall users
- High cylinder with foot ring

FIREPROOFING

- CAL 133 approved

CASTER OPTIONS

- Non-rolling glides for fixed location use
- Optional soft casters for hard floors

FOOT RING

- Chrome finish
- Height-adjustable

Diffrient world™ Options & Prices

CONFERENCE / TASK CHAIR	ARM OPTIONS	CODE
	Armless	W10
	Fixed Duron Arms	W16
	Fixed Duron Arms with Matching Textile Cover*	W17
	Height-Adjustable Duron Arms	W11
	Height-Adjustable Duron Arms with Matching Textile Cover*	W12

REPLACEMENT PARTS†			
Replacement Cushions	Mesh Backrest	DWCB	3422
	Mesh Seat Cushion	DWCS	3422
	Textile-covered Seat Cushion	DWCSM	31222
	Fixed Duron Arm Pads (Pair)	DWFD	35
	Fixed Duron Arm Pads with Matching Textile Cover (Pair)*	DWFD M	1222
	Height-Adjustable Duron Arm Pads (Pair)	DWAD	35
	Height-Adjustable Duron Arm Pads with Matching Textile Cover (Pair)*	DWADM	1222

RETROFIT PARTS†			
Retrofit Armrest Kits	Fixed Duron Arms (Pair)	DWKFD	35
	Fixed Duron Arms with Matching Textile Cover (Pair)*	DWKFD M	31222
	Height-Adjustable Duron Arms (Pair)	DWKAD	35
	Height-Adjustable Duron Arms with Matching Textile Cover (Pair)*	DWKADM	31222

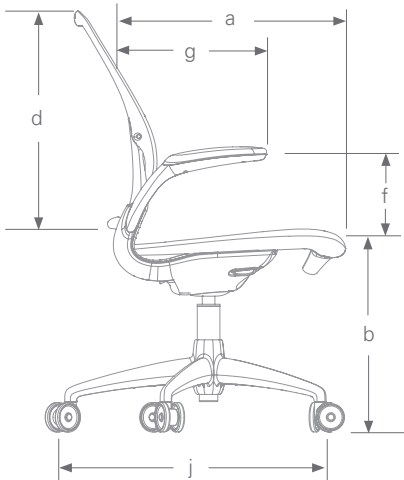
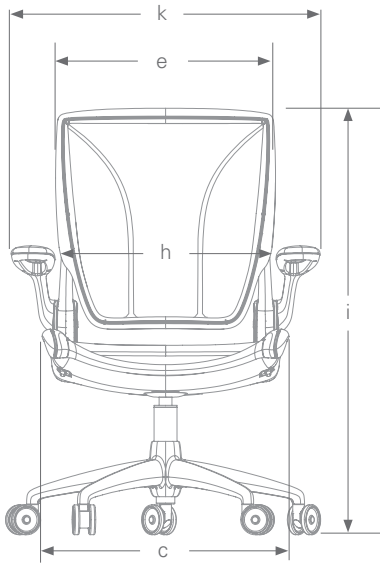
1 – Textile Code (pages 38-41) **2** – Cushion Color (pages 38-41) **3** – Frame Color (B,W) **4** – Mesh (M,C,T,J,A,N) **5** – Arm Pad Color (S,B)

* Available with textile-covered seat only

† All World Chair Replacement and Retrofit Parts are CAL 133-approved

MESH	TEXTILE 0	TEXTILE 1	TEXTILE 2	TEXTILE 3
\$740	\$780	\$800	\$820	\$840
\$820	\$860	\$880	\$900	\$920
-	\$885	\$905	\$925	\$945
\$910	\$950	\$970	\$990	\$1010
-	\$975	\$995	\$1015	\$1035
\$140	-	-	-	-
\$140	-	-	-	-
-	\$180	\$200	\$220	\$240
\$45	-	-	-	-
-	\$55	\$65	\$85	\$85
\$45	-	-	-	-
-	\$55	\$65	\$85	\$85
\$90	-	-	-	-
-	\$100	\$110	\$130	\$130
\$180	-	-	-	-
-	\$190	\$200	\$220	\$220

SPECIFICATIONS



CODE	DESCRIPTION	MEASUREMENT
a	seat depth <i>(from face of lumbar to front of seat)</i>	16.5" – 20" (419mm – 508mm)
b	seat height <i>(from floor to compressed front center of seat cushion)</i>	16" – 21" (406mm – 533mm) standard chair 15.25" – 19" (387mm – 483mm) low chair 17" – 22.25" (432mm – 565mm) tall chair 20.5" – 28.5" (521mm – 724mm) high cylinder with foot ring
c	seat width	21.1" (536mm)
d	backrest height <i>(from seat cushion to top of backrest)</i>	23" (584mm)
e	backrest width	19" (483mm)
f	armrest height <i>(from compressed seat cushion to top of armrest)</i>	9.75" (248mm) fixed 7.75" – 11" (198mm – 279mm) adjustable
g	armrest length <i>(from face of lumbar to front of armrest)</i>	12.5" (318mm)
h	distance between armrests	19" (483mm)
i	height	36.5" – 41.5" (927mm – 1,054mm) standard chair 35.75" – 39.5" (908mm – 1,003mm) low-cylinder chair 37.5" – 42.75" (953mm – 1,086mm) tall-cylinder chair 41" – 49" (1,041mm – 1,245mm) high cylinder chair with foot ring
j	base diameter	24" (610mm)
k	chair width	26" (660mm)

SCOPE OF USERS

- Conference/Task chair fits 95% of the office population
 - 5'0" (152cm) Woman to 6'4" (193cm) Man
 - 100 to 300 lbs. (45.4kg – 136kg)
- Users outside the standard height range can be accommodated by Low or Tall Cylinder

WEIGHT

- 27 lbs. (12.2kg) Conference/Task chair
- 25 lbs. (11.3kg) Armless chair

TILT AND RECLINE

- 17° recline plus 8° backrest tilt

REFERENCE ANGLE BETWEEN SEAT AND BACK

- 100° to 125°

Civilization advances by the number
of important operations which we can
perform without thinking about them.

—Alfred North Whitehead

Diffrient world™ Build Your Product Code

Line	Style	Armrests	Frame Color	Backrest Mesh Style	Backrest Mesh Color	Seat Mesh/Textile Style	Seat Mesh/Textile Color	Cylinder	Casters/Glides	Base Caps	Shipping
1	2	3	4	5	6	7	8	9	10	11	12

COMPONENT	CODE	DESCRIPTION	
1 LINE	W	Diffrient World Chair	<i>Note: Diffrient World Chair is CAL 133-approved</i>
2 STYLE	1	Conference/Task Chair	
3 ARMRESTS	0 1 2 6 7	Armless Adjustable Duron Arms Adjustable Duron Arms with Matching Textile* Fixed Duron Arms Fixed Duron Arms with Matching Textile*	<i>Note: White and Gray frames ship with Gray Duron Arm Pads, Black frame ships with Black Duron Arm Pads</i>
4 FRAME COLOR	B W V	Black White (Add \$40) Gray	<i>Note: White frame ships standard with Brushed Stainless Steel Caps and translucent casters</i>
5 BACKREST MESH STYLE	J A N M C T	Catena [†] Dash ^{††} Pinstripe ^{††} Monofilament Stripe ^{**} Silver Check ^{**} Torque ^{**}	<i>See page 41 and textile samples for mesh descriptions</i>
6 BACKREST MESH COLOR			<i>See page 41 and textile samples for mesh color options and codes</i>

COMPONENT	CODE	DESCRIPTION	
7 SEAT MESH/TEXTILE STYLE		See pages 38-41 and textile samples for mesh color options and codes	Note: Extended lead times may apply for Diffrient World Chair with textile-covered seat. Please consult your Humanscale representative
8 SEAT MESH/TEXTILE COLOR		See pages 38-41 and textile samples for color options and codes	Note: U, E, Z, L, P, R, Y not available on Diffrient World Chair
9 CYLINDER	— L T F	Standard 5" Low 3.75" (Add \$26) Tall 5" (Add \$37) High 8" w/18" Foot Ring (Add \$110)	Note: White and Gray frame chairs ship with Chrome cylinders, Black frame chairs ship with Black cylinders
10 CASTERS/GLIDES	— S G	Standard Hard Casters Soft Casters Glides (Add \$21)	
11 BASE CAPS	— H	Standard Brushed Stainless Steel Caps on Black or Gray Base (Add \$21)	
12 SHIPPING	— B	Individually Boxed Blanket Wrapped†	

* Available with textile-covered seat only

** M, C, T available on backrest only

† Available end of 2011

†† Available mid-2011

‡ See Terms and Conditions, page 88, for minimum order requirements

cinto™ Features & Characteristics

Appropriate for a wide range of commercial and residential environments, Cinto sets a new standard for ergonomic stackable seating through unique design and manufacturing innovations. Spanish for “belt,” Cinto features a floating backrest that is attached to the chair’s frame via a flexible belt, allowing it to move with the body to provide recline and automatic lumbar support. Stress-relief cross-slits on Cinto’s seat pan flex independently under the sitting bones to evenly distribute body weight and reduce pressure points, while air vents on the backrest and seat pan enable air circulation for cool seated comfort.



PHYSICAL CHARACTERISTICS

SEAT PAN, BACKREST

- Injection-molded polypropylene

ARM PAD

- Polyethylene

FRAME

- Steel tube

BELT

- Elastomer

STANDARD FEATURES

FLEXIBLE BACKREST

- Attached to the chair’s frame via a flexible belt, the floating backrest bends and adjusts with the sitter
- Flexibility of backrest creates virtual pivot point for automatic lumbar support
- No adjustments required

STRESS-RELIEF CROSS-SLITS

- Seat pan cross-slits flex independently under the sitting bones for even weight distribution and reduced pressure points

VENTED SEAT PAN AND BACKREST

- Promotes air circulation and prevents “hot spots”

STACKABILITY

- Freestanding Cintos stack six chairs high
- Up to 15 chairs can be stacked on the optional Cinto Dolly

BACKREST HANDLE

- Provides easy transport

LOW MAINTENANCE

- Washable with soap and water

OPTIONAL FEATURES

ARMREST OPTIONS

- Armless
- Fixed arms

FRAME OPTIONS

- Silver
- Black

BASE OPTIONS

- Sled base
- Four legs on glides
- Four legs on casters

COLOR OPTIONS

- White with Gray Belt
- Black with Black Belt
- Gray with Gray Belt
- Taupe with Gray Belt
- Light Gray with Gray Belt
- Yellow with Gray Belt
- Green with Gray Belt
- Light Blue with Gray Belt
- Blue with Gray Belt
- Red with Gray Belt

FIREPROOFING

- CAL 133-approved

SPECIFICATIONS

SCOPE OF USERS

- Weight capacity: 300 lbs.

WEIGHT

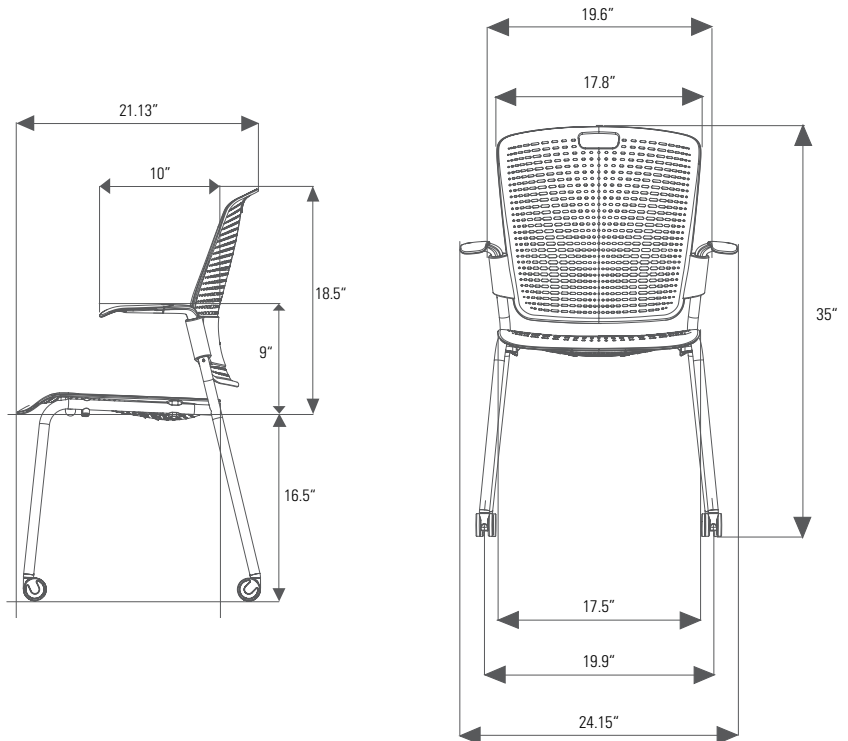
- 12 lbs. Armless chair
- 13 lbs. Fixed-Arm chair

CINTO DOLLY EMPTY






- Height 44"
- Depth 41"
- Width 26"

CINTO DOLLY FULLY STACKED WITH 15 CHAIRS

- Height 67"
- Depth 41"
- Width 26"

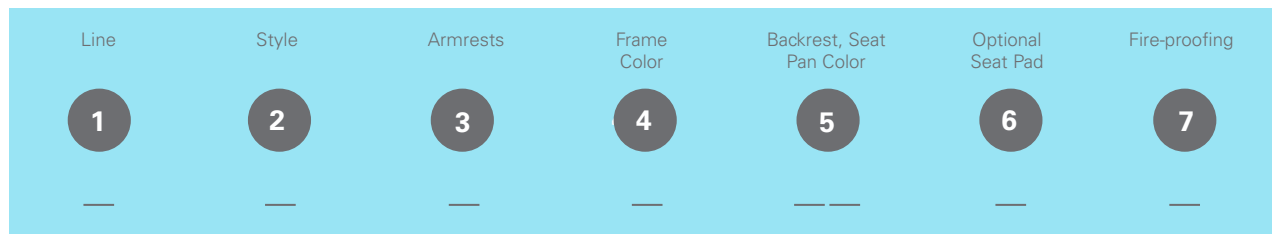


cinto™ Options & Prices

ARMLESS STACKING CHAIR	OPTIONS	CODE	LIST PRICE
 	Four Legs/Glides	C10	\$215
	Four Legs/Casters	C20	\$245
	Sled Base	C30	\$255
FIXED-ARM STACKING CHAIR			
 	Four Legs/Glides	C15	\$265
	Four Legs/Casters	C25	\$295
	Sled Base	C35	\$305
SEAT PAD			
	Optional Seat Pad	V _ _ _	\$40
CINTO DOLLY			
	Cinto Dolly	CINTODLY	\$230
REPLACEMENT/RETROFIT PARTS	OPTIONS	CODE	LIST PRICE
	Seat Pan	CRS 11	\$50
	Seat Pan, CAL 133-Approved	CRS 11 C	\$60
	Seat Pad	CRP 4555	\$40
	Casters (Black, Set of 4)	CRCAST	\$30
	Glides (Set of 4)	CRGLIDE 2	\$10
	Arm Sleeves (Pair)	CRA 3	\$26
	Retrofit Armrest Kit (Pair)	CKA 23	\$75

1 – Backrest, Seat Pan Color (page 37)
2 – Frame Color (S = Silver, B = Black)
3 – Trim Color (G = Gray, B = Black)
4 – Textile Code (V)
5 – Textile Color (pages 37)

cinto™ Build Your Product Code



COMPONENT	CODE	DESCRIPTION
1 LINE	C	Cinto (Base price \$215)
2 STYLE	1	Four Legs, Glides
	2	Four Legs, Casters (Add \$30)
	3	Sled Base (Add \$40)
3 ARMRESTS	0	Armless
	5	Fixed Arms (Add \$50)
4 FRAME COLOR	S	Silver
	B	Black
5 BACKREST, SEAT PAN COLOR	01	White*
	10	Black
	15	Gray
	17	Taupe
	18	Light Gray
	33	Yellow*
	41	Green*
	52	Light Blue*
	53	Blue
	72	Red*
6 OPTIONAL SEAT PAD	---	No seat pad
	V101	Vellum Black (Add \$40)
	V102	Vellum Graphite (Add \$40)
	V414	Vellum Greenwood (Add \$40)
	V714	Vellum Pomegranate (Add \$40)
7 FIREPROOFING	—	Standard Plastics
	C	CAL 133-Approved (Add \$20)

Note: Belt is Black on Black chairs, Gray on all other colors.

* Available third quarter 2011

Textiles

TEXTILE

The cushions on all Humanscale chairs utilize advanced technology developed primarily for the sportswear and sporting goods industries. In a single step, a high-tech molding process combines the textile, foam or Technogel®, and plastic support shell into a single, modular unit which can be attached to our seating with four screws. Because of this advanced process, the textiles used on the cushions are as unique as the rest of the chair, and satisfy requirements more demanding than typical upholstery textiles.

WAVE

Textile Code: W **Textile Grade:** 1
Developed initially for sportswear, Wave responds to the unique form and production requirements of Humanscale seating. This four-way stretch fabric exceeds all contract interior testing requirements for heavy-duty upholstery. The colors of Wave are taken from the phenomenal hues found in nature.

Colors:

101	Black
102	Graphite
104	Smoke
201	Dark Brown
213	Rattan
402	Loden
415	Sage
502	Blue
507	Navy
601	Ultraviolet
714	Poppy
803	Cayenne

SQUIGGLE

Textile Codes: **Textile Grade:** 0
Vertical: S
Horizontal: G
Composed of 100% recycled polyester, Squiggle offers an innovative weave structure to create a modern organic wave pattern resembling ripples of water. This environmentally sound textile may be applied either horizontally or vertically to Humanscale seating.

Colors:

106	Ash
208	Chocolate
262	Sand
275	Espresso
448	Herb
501	Indigo
507	Navy
735	Cinnabar
811	Tangerine

SENSUEDE

Textile Code: D **Textile Grade:** 3
Offering style and performance, Sensuede was developed to be the best and most luxurious engineered suede available. The silky feel is the result of recycled microfibers that are breathable, extra-strong, and resistant to most stains and wrinkles.

Colors:

111	Ebony
115	Pewter
208	Chocolate
305	Goldenrod
406	Olive
411	Pear
413	Arbor
512	Denim
517	Persian
709	Pampas
712	Oxblood

VELLUM

Textile Code: V **Textile Grade:** 1
Constructed of a simple weave using a blend of nylon, Cordura and elastic yarn, this textile offers a pleasing texture and extreme durability. Because of the Cordura content, this four-way stretch woven textile performs to the rigors of the most demanding environments. The color palette includes brights, classics, and neutrals.

Colors:

101	Black
102	Graphite
106	Ash
114	Light Gray
202	Seal
211	Beech
212	Mahogany
404	Moss
407	Grass
414	Greenwood
507	Navy
607	Periwinkle
713	Pomegranate

SPIRIT MILLENNIUM

Textile Code: U **Textile Grade:** 1
An anti-microbial and wipeable textile manufactured by Naugahyde, this textile is designed for use in healthcare, education, hospitality, and other environments that require surfaces to be durable and easy to maintain. It passes healthcare testing, such as anti-microbial and cleanability tests, and meets fire code requirements.

Colors:

101	Black
112	Greystone
113	Gunmetal
210	Putty
304	Golden Corn
412	Artichoke
514	Dutch Blue
515	Wedgewood
516	Royal
608	Crocus
711	Raspberry
802	Mandarin Orange

GINKGO

Textile Code: F **Textile Grade:** 2
Composed of 90% Wool, Ginkgo offers a pleasing texture and durability. Its subtle and elegant pattern makes this textile appropriate for a variety of environments. Ginkgo comes in vibrant and saturated colors, expanding the scope of Humanscale's upholstery line.

Colors:

101	Black
197	Charcoal
281	Walnut
315	Wheat
463	Green
464	Pine
507	Navy
556	Storm
559	October Blue
568	Horizon
734	Cranberry
759	Cherry
816	Harvest Orange

BRIDGET STRIPE

Textile Codes: Textile Grade: 2

Vertical: B

Horizontal: H

Composed primarily of renewable merino wool, Bridget Stripe offers a five-color 50-stripe pattern with shifting color sequence that creates an undisrupted movement across the surface of the fabric. Boasting exceptional durability for a wool textile, Bridget Stripe may be applied either horizontally or vertically to Humanscale seating.

Colors:

104	Smoke
266	Kohl
267	Flax
529	Midnight
560	Lapis
732	Carmine

PROMESSA

Textile Code: E Textile Grade: 3

This Ultraleather textile from Ultrafabrics is environmentally friendly, wipeable and antimicrobial, and ideally suited to healthcare, hospitality and industrial applications. Made without PVC, Promessa has a pebbled, highly textured finish that will work beautifully in a wide variety of environments.

Colors:

111	Ebony
139	Snow
157	Dewdrop
158	Shale
215	Horsehair
219	Fields
222	Pearl
223	Parchment
224	Cashmere
229	Briarwood
245	Bronze
255	Leather
290	Woodpecker
291	Cocoa
292	Tusk
306	Linen
310	Sun Shower
428	Loden
429	Hunter
441	Moss
451	Lily Pad
518	Atlantic
527	Aquamarine
611	Merlot
722	Dogwood

LOTUS

Textile Code: K Textile Grade: 1

Water repellant and easy to clean, Lotus is an ideal textile for the healthcare and hospitality environments. Its polyurethane finish with nylon backing boasts a soft texture that is pleasant to the touch while offering exceptional durability.

Colors:

101	Black
128	White
158	Shale
182	Hematite
2C4	Umber
281	Walnut
302	Ochre
459	Verdant
507	Navy
603	Plum
608	Crocus
623	Lilac
624	Eggplant
756	Ribbon Pink
757	Earth Red
758	Lucky Red



Textiles

SPINNEYBECK LEATHER

VICENZA

Textile Code: Z Leather Grade: 0

A lightly corrected, aniline-dyed leather produced from European hides, Vicenza receives a special retannage which enriches the leather and tightens the grain. A breathable protective finish offers durability and comfort.

Colors:

101 Black
201 Dark Brown
214 Saddle
506 Night Blue

SABRINA

Textile Code: L Leather Grade: 1

Sabrina is one of Spinneybeck's most popular full-grain leathers, offering a smooth, tight grain and suppleness of hand. It is the favorite of those seeking an elegant, fine-grained leather for high-traffic use.

Colors:

101 Black
203 Grey Beige
206 Bone
207 Nutmeg
408 Cat's Eye
508 Marine Blue
509 Water Sapphire
710 Rhubarb

PRIMA

Textile Code: P Leather Grade: 2

Prima signifies the ultimate in full-grain leather. Old world craft combined with premium select raw material create a leather in a class by itself.

Colors:

101 Black
205 Bernini
511 Giotto
609 Bramante
708 Scarlati

CERVO

Textile Code: R Leather Grade: 3

Cervo is thicker than the other leathers in our collection. Specialized milling adds additional character providing a soft pebble grain texture unmatched by any other leather in its class.

Colors:

1A6 Pietra Lentina
1A7 Sasso Nero
2F0 Mantefalcone
2E8 Aveto
2E9 Metaponto
470 Campigna

ACQUA

Textile Code: Y Leather Grade: 1

Acqua's combination of a special retannage and technically-advanced finishing process results in a leather that is not only water-resistant but also practical for applications that require a durable finish.

Colors:

1C0 Leviathan
1C1 Black Sea
1A9 Aquitania
2F1 Tahiti
2F2 Mississippi Delta
2F3 Sea Wolf
471 Flying Dutchman
573 Cote d' Azur
763 Yardarm

TEXTILE PURCHASE PROGRAM

All Humanscale textiles (with the exception of Leather, Sensuede, Promessa and Spirit Millennium) are available for purchase by the linear yard. The prices below are net (standard discounts do not apply). A \$20 cut charge will apply to each order. Please see your Humanscale representative for more information.

Wave	\$35/yd (61" width)	Squiggle	\$25/yd (54" width)
Monofilament Stripe	\$60/yd (50" width)	Bridget Stripe	\$55/yd (55" width)
Vellum	\$45/yd (50" width)	Lotus	\$36/yd (54" width)
Silver Check	\$70/yd (53" width)	Ginkgo	\$75/yd (51" width)
Torque	\$70/yd (57" width)		

MESH

These translucent textiles were created to provide optimal ergonomic support and comfort by melding strength, flexibility and resiliency. They surpass the performance criteria for contract seating textiles and meet a variety of environmental standards in both the United States and Europe, while remaining gentle on clothing.

MONOFILAMENT STRIPE

Mesh Code: M

Using only monofilament yarns that are thin and strong, a simple but classic stripe pattern is achieved through weave structure and yarn placement. This pattern has slight elasticity but terrific memory.

Colors:

10	Black
11	Carbon
14	Platinum
41	Green
51	Atlantic
81	Amber

SILVER CHECK

Mesh Code: C

This unique translucent pattern is achieved using monofilament and a silver-plated yarn spun with polyester at its core. More than simply an aesthetic choice, the silver-plated yarn gives the textile flexibility and strength.

Colors:

12	Alloy
32	Topaz
62	Sapphire
71	Ruby

TORQUE

Mesh Code: T

This proven weave construction gives the look of a solid yet translucent textile. Originally developed as a protective layer for motorcycle riders, Torque is woven with nylon, polyester and urethane yarns. It is both unique and durable.

Colors:

10	Black
13	Aluminum
31	Soleil
61	Lagoon

DASH

Mesh Code: A

Designed to resemble embroidery floss, Dash is stronger, more responsive, lighter weight and uses less material than most mesh textiles. It gives the user support, comfort and ease of movement, while meeting Humanscale's seating requirements.

Colors:

14	Platinum
19	Zink
54	Cobalt
73	Scarlett
82	Tangerine

CUSTOM COLORS

Textiles – Most Humanscale textiles are available in any customer-specified color. Delivery time frames for custom color orders will depend on color approval. A surcharge of \$200 will apply to custom color orders of 100 or more chairs, and a surcharge of \$350 will apply to custom color orders of less than 100 chairs. The following minimums are required for custom textile colors.

Vellum: 50-chair minimum (Freedom)
100-chair minimum (Liberty & Diffrient World)

Wave: 175-chair minimum (Freedom)
350-chair minimum (Liberty & Diffrient World)

Torque: 110-chair minimum

Lotus: 200-chair minimum (Freedom)
400-chair minimum (Liberty & Diffrient World)

Ginkgo: 240-chair minimum (Freedom)
480-chair minimum (Liberty & Diffrient World)

Non-Stocked Colors – Vicenza, Sabrina and Prima leathers, Sensuede, Spirit Millennium, and Promessa can be ordered in any color standard to these textile lines, even if it isn't stocked by Humanscale. Ordering any non-stocked color may impact the lead time for delivery. The list price upcharge for these non-stocked colors is as follows:

Sensuede, \$30 per chair (Freedom), \$20 per chair (Liberty & Diffrient World)
Spirit Millennium,
Promessa

Vicenza, Sabrina, Prima, Acqua, Cervo: No upcharge

Humanscale and the Environment

RECYCLED MATERIALS			
Product	Recycled Content	Recyclable Content	LEED Recycled Content Post-Consumer +1/2 Pre-Consumer
Diffrient Task and Work Light with Base	90% recycled (63% Post-Consumer, 27% Pre-Consumer)	90% recyclable	77%
Diffrient Technology Light	38% recycled (13% Post-Consumer, 25% Pre-Consumer)	98% recyclable	26%
Element Light, Element 790	81% recycled (55% Post-Consumer, 26% Pre-Consumer)	99% recyclable	68%
Tolomeo Light	77% recycled (40% Post-Consumer, 27% Pre-Consumer)	87% recyclable	52%
Freedom Chair	62% recycled (43% Post-Consumer, 19% Pre-Consumer)	90% recyclable	53%
Freedom Saddle/ Pony Saddle	59% recycled (41% Post-Consumer, 18% Pre-Consumer)	90% recyclable	50%
Liberty Chair	54% recycled (32% Post-Consumer, 22% Pre-Consumer)	93% recyclable	43%
Liberty Side Chair	85% recycled (49% Post-Consumer, 36% Pre-Consumer)	93% recyclable	67%
Cinto chair	26% recycled (15% Post-Consumer, 11% Pre-Consumer)	100% recyclable	21%
Diffrient World Chair	34% recycled (10% Post-Consumer, 24% Pre-Consumer)	97% recyclable	22%
M2 Monitor Arm	52% recycled (46% Post-Consumer, 6% Pre-Consumer)	99% recyclable	49%
M8 Monitor Arm	62% recycled (43% Post-Consumer, 19% Pre-Consumer)	99% recyclable	53%
M7 Monitor Arm	90% recycled (63% Post-Consumer, 27% Pre-Consumer)	100% recyclable	77%
M4 Monitor Arm	67% recycled (47% Post-Consumer, 20% Pre-Consumer)	100% recyclable	57%
Paramount	48% recycled (33% Post-Consumer, 15% Pre-Consumer)	99% recyclable	41%
Access Rail	98% recycled (70% Post-Consumer, 28% Pre-Consumer)	100% recyclable	84%
Keyboard Systems	25% recycled (15% Post-Consumer, 10% Pre-Consumer)	80% recyclable	20%
CPU600/ CPU200	51% recycled (34% Post-Consumer, 17% Pre-Consumer)	99% recyclable	43%
CPU555 CPU450 CPU300 CPU Dolly	30% recycled (21% Post-Consumer, 9% Pre-Consumer)	90% recyclable	26%
NeatLinks	50% recycled (50% Post-Consumer, 0% Pre-Consumer)	100% recyclable	50%
L6	30% recycled (23% Post-Consumer, 7% Pre-Consumer)	90% recyclable	27%

Humanscale Terms and Conditions

THE FOLLOWING TERMS & CONDITIONS APPLY TO ALL HUMANSCALE PRODUCTS.

TERMS OF PAYMENT

Upon approved credit, terms of payment are net 30 from date of shipment. Deposits may be required for large or custom orders. The processing of orders and/or shipment of orders placed may be delayed if the deposit is not received with the order or if customer's account is in "Past Due" status.

CREDIT POLICY

All customers of Humanscale must complete a credit application, with current information, which must be signed by an owner or officer. A line of credit may be set by our Credit Department, however the basis for the line of credit may be changed or cancelled at our discretion and advance payment may be required. Any unpaid balance, upon which payments are not made according to the terms governing the sale, will be considered "Past Due" and will increase by a maximum of 2% per month, without forfeit of Humanscale's right to payment.

Any customer who has failed to pay for goods delivered or services rendered in a timely manner shall be liable for all fees, expenses, disbursements, and charges (including all legal costs) incurred by Humanscale in collecting monies owed, as well as interest (at 24% per annum).

PURCHASE ORDERS

Purchase orders must include the following: "Bill To" and "Ship To" information—Company Name (Ship To company may be end user or installation company), Address, Telephone, Fax, Contact Person; End User Company Name; Requested Ship Date; Purchase Order Number; Special Delivery, Shipping and Packing Instructions (if applicable); Proper Discount Off Current List Price, Product Quantities and Full Model Numbers; and Total (List Net).

ORDER CHANGES & CANCELLATIONS

All changes to or cancellations of orders placed with Humanscale must be in writing and sent to Customer Service. Orders may be changed or cancelled without penalty if Humanscale is notified at least two (2) weeks before the scheduled ship date for standard orders (under 250 units), or at least three (3) weeks before the scheduled ship date for large orders (250 units or more). Order changes or cancellations made less than two (2) weeks before the scheduled ship date for standard orders or less than three (3) weeks before the scheduled ship date for large orders will incur a minimum change/cancellation fee of 10% of net. Irrespective of when notified, changes or cancellations are not binding upon Humanscale until Humanscale issues a written acknowledgment of the change or cancellation. Order changes are defined as the deletion of line items; changes in style, color, quantity or requested ship date; or ship-to address changes. Order changes that result in a quantity reduction may be subject to an additional small order fee or adjustment in pricing. Under no circumstances will changes or cancellations be accepted on any custom fabric, special order or custom product orders.

TAXES

Humanscale list prices do not include sales tax. Customer is responsible to remit all such tax. Humanscale requires a State Resale/Exemption Certification to be on file at its main office. Sales made without said Certificate will be charged the appropriate sales tax.

PRICES

All discounts and list prices are subject to change without notice. Prices are those in effect at the time of order entry. If the requested shipment date is more than 90 days after the order date, Humanscale reserves the right to price said order based on the published list price as of the shipment date.

SMALL ORDER FEE

A 3% small order fee applies to all invoiceable orders of \$1,500 net or less, including billable replacement parts, regardless of product category.

SHIPPING AND DELIVERY

All Humanscale orders are acknowledged with a promise date (scheduled ship date) based on the product with the longest lead time. Large orders may increase standard lead times. Standard shipping charges will be billed to customer. Custom platform orders require 4 to 6 weeks.

Seating orders, unless otherwise specified, will ship 4 to 6 weeks from the date of order. Unless otherwise contractually specified, Diffrient World, Freedom and Liberty chairs will ship with the base and frame disassembled. Chairs can be easily assembled in seconds without use of tools. Blanket-wrapped shipping is available for full truckloads of 200 or more Diffrient World, Freedom or Liberty Task and Conference chairs. Consult your Humanscale representative for blanket-wrapped shipping requirement for Cinto and the Liberty Side chair.

Ship Sets: All products ordered on a single purchase order will be delivered together in a single ship set. To break a ship set, customers must indicate "Ship as Available" on the purchase order. Upon request, customer accounts may be defaulted to ship all orders on an as-available basis.

Shipping Instructions: Humanscale will attempt to accommodate basic shipping instructions, such as "call ahead" or "deliver before 12:00 p.m.," if clearly identified on the purchase order as "Shipping Instructions."

Packing Instructions: Humanscale will attempt to accommodate basic packing instructions for internal delivery of specific items on an order, such as "Deliver to Joe Smith" or "Deliver to cube #218," if clearly identified on the purchase order as "Packing Instructions."

DELIVERY SHORTAGES

Product shortages must be noted at the time of delivery and reported to the carrier for correction. Claims against Humanscale for shortages, errors, etc., must be made in writing and within three (3) days of the date of delivery or customer waives its right to make such a claim.

FREIGHT CLAIMS

Humanscale will file all F.O.B. destination claims. In order to receive credit, customer agrees to cooperate and assist in the procedures set out by the carrier and Humanscale.

EXTERNAL DAMAGE

If the shipping container shows any external damage, customer is instructed to refuse the product at time of delivery. If it is a multiple piece shipment, customer may refuse only the damaged items. Humanscale will not issue full credit for returned product unless customer takes the following action steps:

1. Note damage on the delivery receipt at time of delivery.
2. Refuse product at time of delivery.
3. Contact Humanscale Customer Service within 24 hours of the attempted delivery and advise them of the damage.
4. Enter a chargeable replacement order; credit will be issued after the disposition of damaged product is determined.

CONCEALED DAMAGE/LOSS

If customer determines that there is internal damage not visible at time of delivery, customer will retain all packaging materials and take the following action steps within fifteen (15) calendar days from the date of delivery:

1. Request inspection by calling local freight carrier to report damage.
2. Retain merchandise in the original box.
3. Call your Humanscale Customer Service agent to provide order and product information.
4. Get a copy of the inspection report from carrier.
5. Enter a chargeable replacement order; credit will be issued after the disposition of damaged product is determined.

STORAGE

If a customer is unable to accept a scheduled product delivery, Humanscale, if notified in writing after product assembly and prior to the scheduled ship date, will store the product at customer's expense. Humanscale shall invoice customer for the product and monthly Storage Fees.

Storage Fees will be 1% of the net order value per month or actual storage costs—which ever is greater. Storage Fees are calculated with a one-month minimum and will not be pro-rated. If customer is unable to accept a scheduled product upon delivery, customer shall be responsible for placing the product in storage and bears the risk of loss. However, payment of the balance due is per Humanscale's Terms of Payment.

RETURN AUTHORIZATIONS & REFUSALS

All returned and non-damaged refused orders are subject to a five percent (5%) restocking fee. Seating and special order returns will not be accepted. Customer must request a Return Authorization through the Humanscale Customer Service Department within 45 days of product receipt to return any product. If Humanscale agrees to restock the product, customer must return it freight prepaid to Humanscale, F.O.B., to the original shipping point or as otherwise instructed by Humanscale Customer Service. If product is returned without a Return Authorization, Humanscale will notify customer of the unauthorized return and customer must provide instructions for its disposition within one week thereafter. Failure of customer to respond within one week will result in Humanscale's right to dispose of the product with no credit. Return Authorizations expire sixty (60) days after the date of issue. If the returned product is not in resalable condition, customer will not receive credit for the return. Customer must promptly provide a purchase order or other acceptance of fees/credit reduction as required.

WARRANTY

THE FOLLOWING WARRANTY IS IN LIEU OF ALL OTHER WARRANTIES EXPRESS OR IMPLIED, INCLUDING, BUT NOT LIMITED TO, THE IMPLIED WARRANTY OF MERCHANTABILITY AND FITNESS FOR A PARTICULAR PURPOSE AND ALL OTHER WARRANTIES ARISING FROM COURSE OF DEALING OR USAGE OF TRADE.

Humanscale offers the following warranties on its products:

PRODUCT	WARRANTY
Customer's Own Material (COM, COL)	No Warranty
CFL Light Bulbs	1 Year, Single-Shift Warranty
Switch Mouse	1 Year, 24/7 Warranty
Artemide Tolomeo Light	2 Years, 24/7 Warranty
Diffrient Light	5 Years, 24/7 Warranty
Fabric/Cushions/Arm Pads	5 Years, Single-Shift Warranty
Element Light, Including Light Source	10 Years, 24/7 Warranty
M4, M7 & M8 Monitor Arms with Gas Cylinder Components	10 Years, 24/7 Warranty
All seating and other products detailed in a current Humanscale Price Guide, unless otherwise specified	15 Years, 24/7 Warranty
All other products NOT detailed in a current Humanscale Price Guide	Varies; consult your Humanscale representative for details

This Warranty is applicable to the initial purchaser only and is non-transferable. If products are procured through authorized Humanscale Dealerships, the end-user customer must be registered with Humanscale for the warranty to be in effect. Humanscale warrants that, at the time of customer's receipt, the product will be in good working order and will be free from defects in material and workmanship. This Warranty does not apply to normal wear and tear or damage caused by accident, neglect, misuse or improper installation or operation. Humanscale will not be responsible for damage due to service, maintenance, modifications or tampering by anyone other than a Humanscale authorized representative. In the event a product is defective and Humanscale receives written notice of the defect within the Warranty period, Humanscale, at its option, will either repair or replace the defective product. This Warranty does not cover damage caused by a carrier or transportation of the product from one location to another, or alterations made by owner.

LIMITATION OF LIABILITY

Purchaser's remedies set forth herein are exclusive and the liability of Humanscale with respect to the breach of this agreement or any contract entered into between the parties pursuant hereto shall not exceed the price of the product or part on which such liability is based. In no event will Humanscale be liable to purchasers for any special, collateral, incidental or consequential damages however caused, whether by Humanscale's negligence or otherwise.

The remedies provided above are the purchaser's sole remedies for any failure of Humanscale to comply with its obligations regarding the workmanship of its products. Correction of any nonconformity in the manner and for the period of time provided shall constitute complete fulfillment of all liabilities of Humanscale, with respect to or arising out of the product furnished hereunder.



Technology can make
simple things complicated
or complicated things simple.

We prefer the latter.



Seating Pricing and Specification Guide

Price Guide - U.S. Prices effective November 2010



Customer Service

10 Inverness Drive East
Suite 100
Englewood, CO 80112
800 400 0625
303 858 9912
303 858 9916 fax
info@humanscale.com

U.S. Headquarters

11 East 26th Street
8th Floor
New York, NY 10010
212 725 4749
212 725 7545 fax

International Headquarters

13 Northburgh Street
London
EC1V 0JP
United Kingdom
+44 207 566 7990
+44 207 566 7991 fax
info@humanscale.co.uk

www.humanscale.com